

# PNEUMATIC actuators



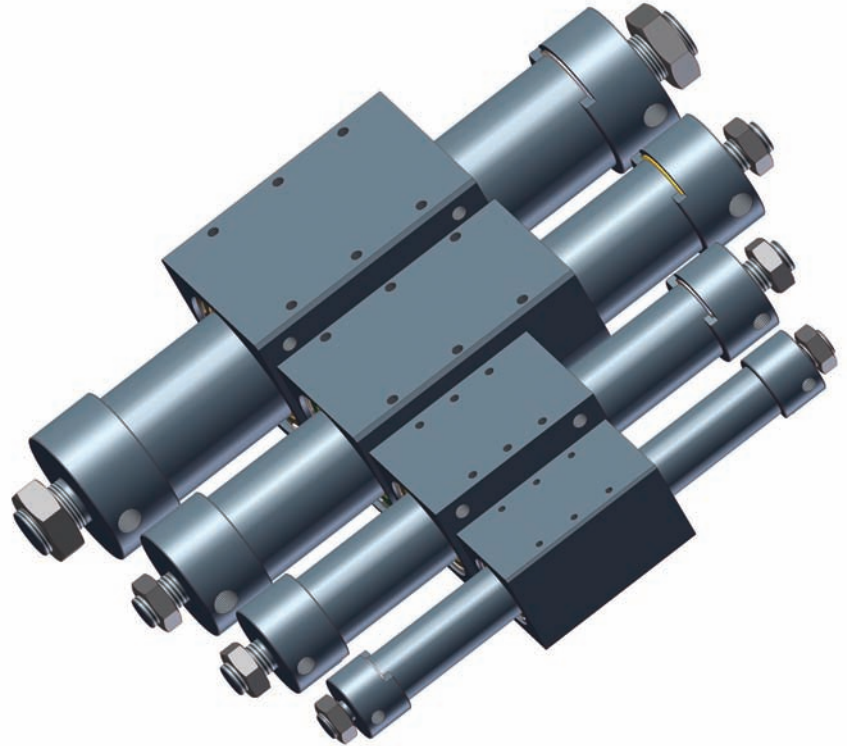
## *More Choices. Greater Savings.*

*When you need pneumatic actuators look no further as W.C. Branham has designed and manufactured a wide range of popular rodless cylinders that can be integrated into endless industrial automation applications.*

*W.C. Branham Inc. builds most of its' pneumatic actuators with stroke lengths from just a few inches upward to 23.5 feet and as long as 44 feet with rodless cable cylinders.*

*Space Savings. All of our pneumatic actuators stroke along the body length to reduce space which equates to a smaller machine footprint. Up to 50% more space savings than traditional cylinders.*

*With our product breadth, there's a high probability that you will find more than one pneumatic actuator to do you what you need it to do.*



## **MAGTEC® SERIES**

Rodless magnetically coupled cylinders

- Use when load is externally guided and supported
- Internal main air pressure seals
- Ideal for washdown, wet or harsh environments
- Best solution for long strokes
- 5 sizes; 1", 1.5", 2", 2.5", 4" bore diameters
- .125 inch wall thickness
- Aluminum tubing, hardcoated I.D./O.D.
- Stroke lengths to 120 inches (1" bore)
- Stroke lengths to 273 inches (all others)
- Axial load rated to 78 lbs. @ 100 psi (1" bore)
- Axial load rated to 177 lbs. @ 100 psi (1.5" bore)
- Axial load rated to 289 lbs. @100 psi (2" bore)
- Axial load rated to 491 lbs. @ 100 psi (2.5" bore)
- Axial load rated to 1,100 lbs @ 100 psi (4" bore)
- End, stud, foot mounting
- May be used low pressure hydraulic. Discuss with factory
- Carriage zerk fittings
- Adjustable cushioning
- Search: **MAG5**

## **applications**

Textile machinery | Corrugated paper splicers | Cage washers | Packaging machinery | Printing machinery | Car wash systems | Shrink wrapping |

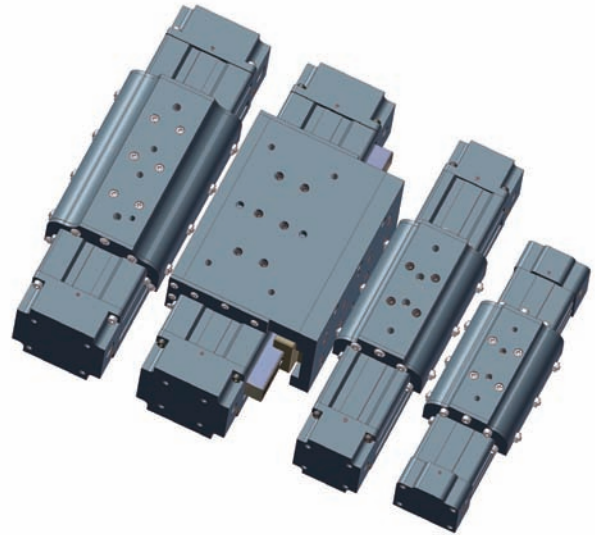
Tele 715.426.2000 | [askwcb@wcbranham.com](mailto:askwcb@wcbranham.com)

# PNEUMATIC actuators

## PNEUMAG® SERIES

Rodless magnetically coupled cylinders

- Provides guiding and load support
- 3 sizes; 1" (25mm), 1.25" (32mm), 1.75" (44mm), bore diameters
- Carrier/piston coupled magnetically
- Internal main air pressure seals
- Dual chamber extrusion design - no slot seal
- Hardcoated I.D./O.D.
- Stroke lengths to 134 inches (25mm)
- Stroke lengths to 158 inches (32mm)
- Stroke lengths to 273 inches (44mm)
- Load rated to 60 lbs. @ 80 psi (25mm)
- Load rated to 94 lbs. @ 80 psi (32mm)
- Load rated to 195 lbs. @ 100 psi (44mm)

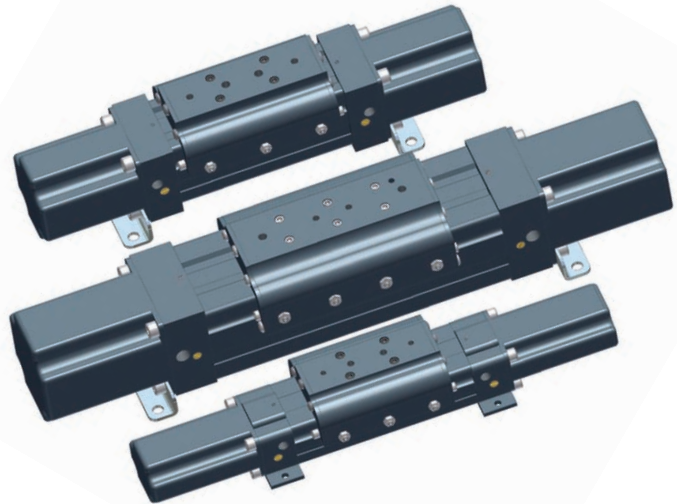


- End, stud, foot mount choices
- May be used low pressure hydraulic. Discuss with factory
- Adjustable cushioning
- Optional switches and sensors
- Search: [PNEUMAG-025](#), [PNEUMAG-032](#), [PNEUMAG-044](#)

## PNEUSA® SERIES

Rodless enclosed cable cylinders

- Provides guiding and load support
- Self lubricating Nylatron GS carrier bearings
- 3 sizes; 1" (25mm), 1.25" (32mm), 1.75" (44mm), bore diameters
- Carrier/piston mechanically coupled
- Internal main air pressure seals
- Ideal for harsh environments
- Dual chamber extrusion design - no slot seal
- Hardcoated I.D./O.D.
- Stroke lengths to 72 inches (25mm)
- Stroke lengths to 158 inches (32mm)
- Stroke lengths to 240 inches (44mm)
- 60 lbf @ 100 psi (25mm)
- 126 lbf @ 100 psi (32mm)



- 240 lbf @ 100 psi (44mm)
- Foot mount standard
- Compensating Tension Control - automatic cable tensioning
- Adjustable cushioning
- Optional switches and sensors
- Search: [PSA](#), [PSA-N-025](#), [PSA-N-032](#), [PSA-044](#)

## applications

Silk screening | Bottling systems | Material transfers | Automotive assembly | Gate openers | Part elevators | Animated displays | Safety systems

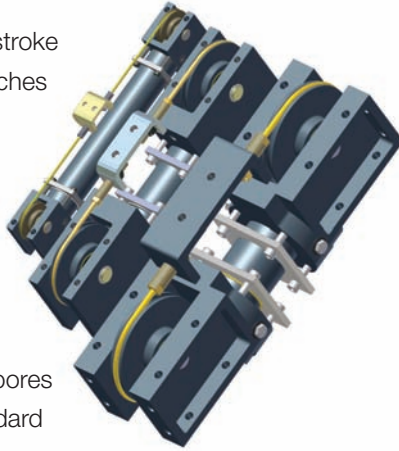
Enter search terms at [www.wcbranham.com](http://www.wcbranham.com) for more information

# PNEUMATIC actuators

## RODLESS CABLE CYLINDERS

Double acting

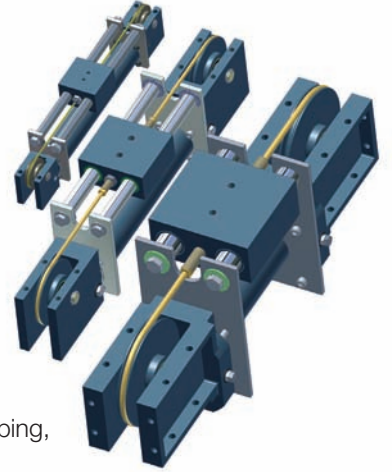
- Best value at price per inch stroke
- 9 bore sizes from 1/2 to 5 inches
- Quality manufactured cable seal glands, easy install
- Black anodized aluminum tubing, corrosion resistant
- Moves loads that are externally guided and supported
- Adjustable cushioning standard on 1.5 thru 5 inch bores
- Fixed orifice cushioning standard on .75 and 1 inch bores
- Mil-spec rated cable providing millions of continuous cycles
- Strokes to 44 feet
- 5:1 safety factor
- Viton® seals for added performance optional
- Optional automatic cable tensioners
- Multi-ported head assemblies optional
- Hydraulic service rated
- Mounting interchangeable with other brands
- Interchangeable cable and seal kits with other brands
- Low breakaway configurations
- Holding brake option
- Optional switches and sensors
- Search **1050, 1070, 1101, 1151, 1203, 1206, 1251, 1301, 1401, 1501**



## RODLESS CABLE CYLINDERS

Double acting - guided

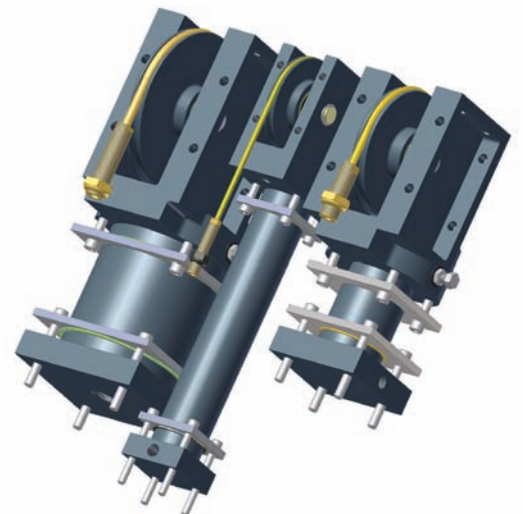
- 8 bore sizes from 1/2 to 4 inches
- Provides guiding and load support
- Self lubricating carrier bearings
- Best value at price per inch stroke when compared with other guided cylinders
- Quality manufactured cable seal glands, easy install
- Black anodized aluminum tubing, corrosion resistant
- Adjustable cushioning standard on 1.5 thru 4 inch bores
- Fixed orifice cushioning standard on .75 and 1 inch bores
- Mil-spec rated cable providing millions of continuous cycles
- Typical strokes to 100 inches
- 5:1 safety factor
- Viton® seals for added performance optional
- Optional automatic cable tensioners
- Multi-ported head assemblies optional
- Hydraulic service rated
- Interchangeable cable and seal kits with other brands
- Low breakaway configurations
- Holding brake option
- Optional switches and sensors
- Search: **1101-08, 1151-08, 1203-08, 1251-08, 1206-08, 1301-08, 1401-08**



## RODLESS CABLE CYLINDERS

Single acting - counter load balancing

- 7 Bore sizes from 1.5 to 5 inches.
- Best value at price per inch stroke
- Add extra cable, remote mount cylinder
- Quality manufactured cable seal glands, easy install
- Black anodized aluminum tubing, corrosion resistant
- Adjustable cushioning standard
- Mil-spec rated cable providing millions of continuous cycles
- Strokes to 44 feet
- 5:1 safety factor
- Viton® seals for added performance optional
- Multi-ported head assemblies optional
- Hydraulic service rated
- Interchangeable cable and seal kits with other brands
- Low breakaway configurations
- Optional switches and sensors
- Search: **1151SA, 1203SA, 1206SA, 1251SA, 1301SA, 1401SA, 1501SA**



## applications

Textile machinery | Corrugated paper splicers | Cage washers | Packaging machinery | Printing machinery | Car wash systems | Shrink wrapping |

Enter search terms at [www.wcbranham.com](http://www.wcbranham.com) for more information