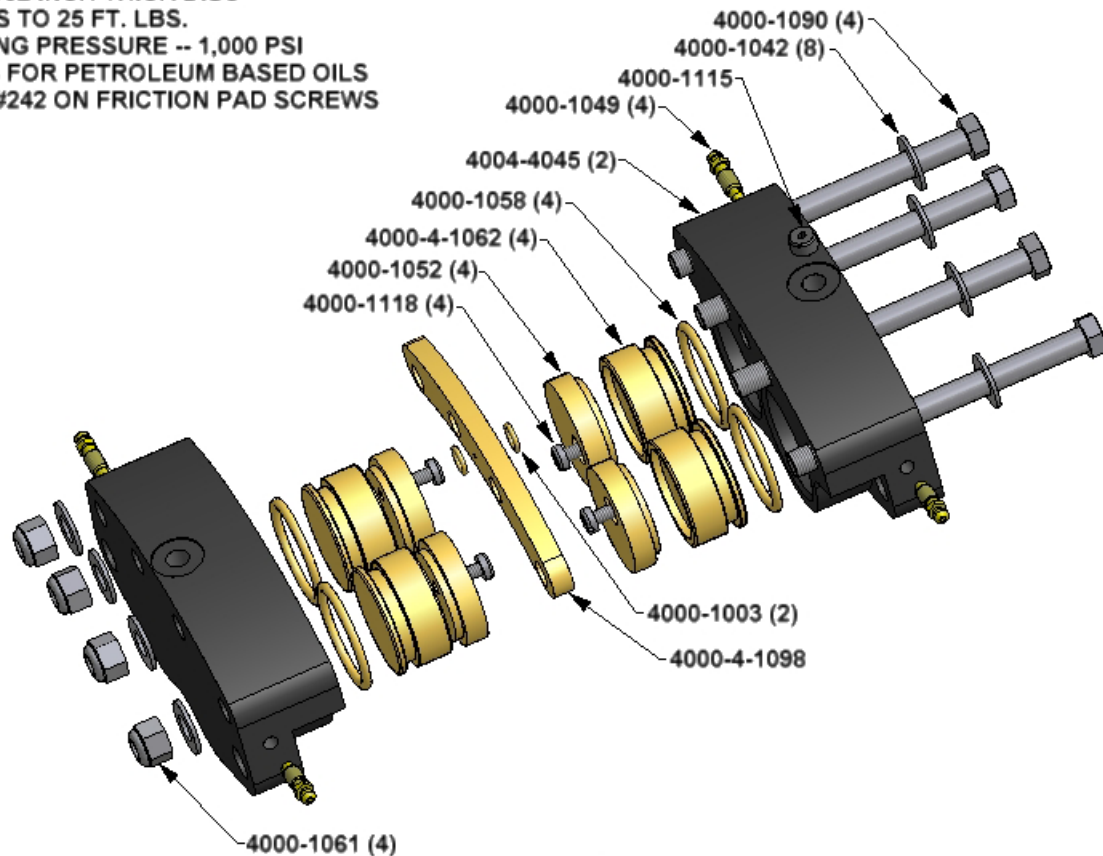


- \* SPACER FOR 5/32 INCH THICK DISC
- \* TORQUE BOLTS TO 25 FT. LBS.
- \* MAX. OPERATING PRESSURE -- 1,000 PSI
- \* BUNA N SEALS FOR PETROLEUM BASED OILS
- \* USE LOC-TITE #242 ON FRICTION PAD SCREWS



UNLESS OTHERWISE SPECIFIED: DO NOT SCALE DRAWING REMOVE ALL BURRS TAP DEPTHS FULL THD DRILL DEPTHS FULL DIA. TOLERANCES: 2 PLACE $\pm .010$ 3 PLACE $\pm .005$ FINISHES: EXTERNAL CLASS 2A INTERNAL CLASS 2B	THIRD ANGLE PROJECTION 	<b>W.C. BRANHAM INC.</b> RIVER FALLS, WI. TITLE
	DESIGNER <b>WCB 11/19/02</b>	DATE <b>11/19/02</b>
	CHECKER	DATE
SCALE	DRAWING NO. <b>4004-0013</b>	REVISION
CLASS		