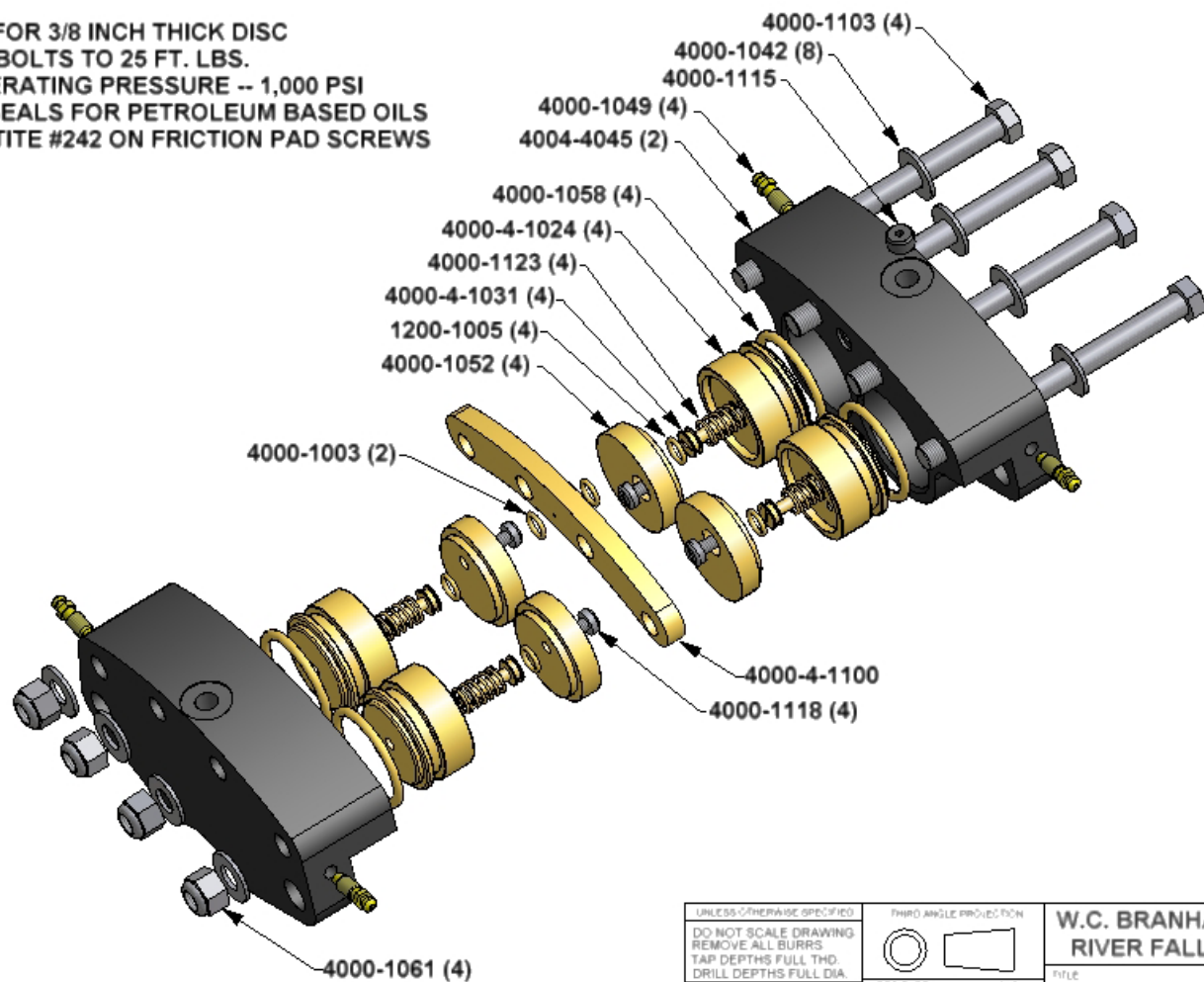


- * SPACER FOR 3/8 INCH THICK DISC
- * TORQUE BOLTS TO 25 FT. LBS.
- * MAX. OPERATING PRESSURE -- 1,000 PSI
- * BUNA N SEALS FOR PETROLEUM BASED OILS
- * USE LOCTITE #242 ON FRICTION PAD SCREWS



UNLESS OTHERWISE SPECIFIED
DO NOT SCALE DRAWING
REMOVE ALL BURRS
TAP DEPTHS FULL THD.
DRILL DEPTHS FULL DIA.

TOLERANCES
2 PLACE $\pm .010$
3 PLACE $\pm .005$

THREADS
EXTERNAL CLASS 2A
INTERNAL CLASS 2B

THIRD ANGLE PROJECTION



DESIGNER DATE
WCB 11/20/02
CHECKER DATE

SCALE
CLASS

W.C. BRANHAM INC.
RIVER FALLS, WI.

TITLE
H200DLR CALIPER

DRAWING NO. **4004-0106** REVISION

SIZE