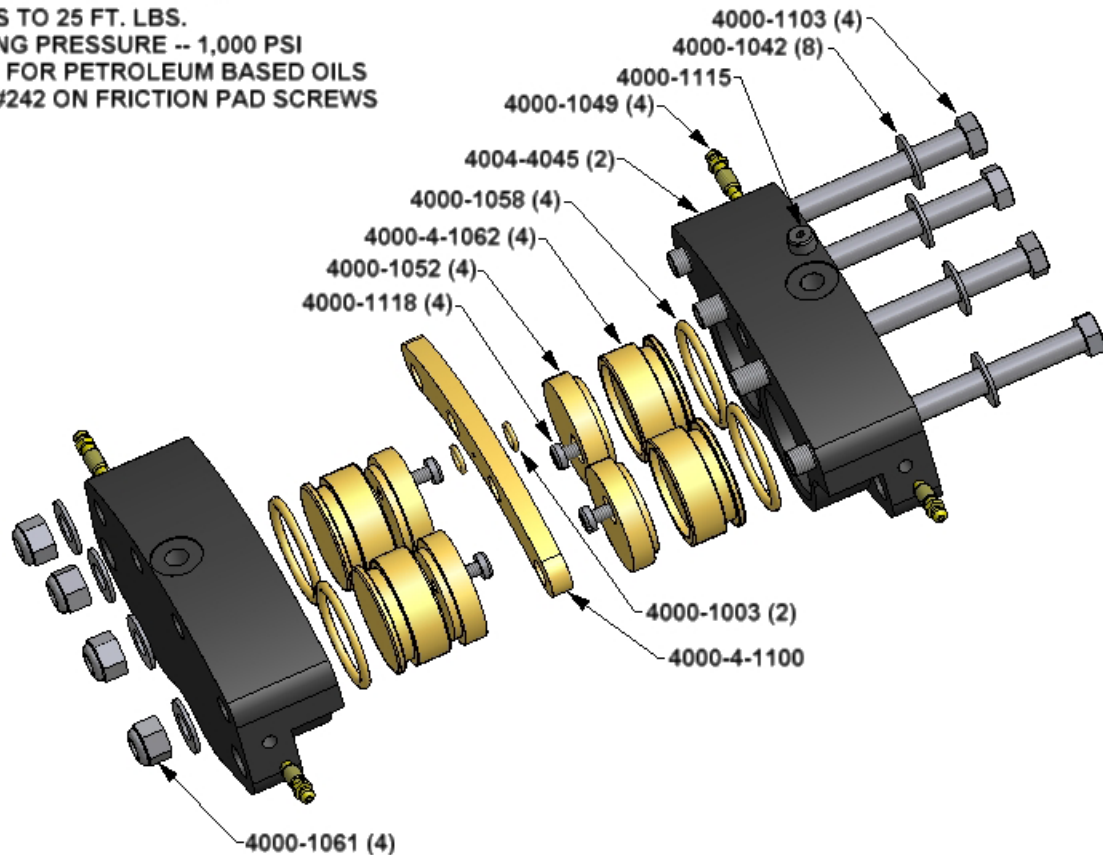


- \* SPACER FOR 3/8 INCH THICK DISC
- \* TORQUE BOLTS TO 25 FT. LBS.
- \* MAX. OPERATING PRESSURE -- 1,000 PSI
- \* BUNA N SEALS FOR PETROLEUM BASED OILS
- \* USE LOC-TITE #242 ON FRICTION PAD SCREWS



UNLESS OTHERWISE SPECIFIED DO NOT SCALE DRAWING REMOVE ALL BURRS TAP DEPTHS FULL THD DRILL DEPTHS FULL DIA.	THIRD ANGLE PROJECTION		W.C. BRANHAM INC. RIVER FALLS, WI.
TOLERANCES 2 PLACE +/- .010 3 PLACE +/- .005	DESIGNER WCB 11/19/02	DATE	H200DL CALIPER
FRACTIONS EXTERNAL CLASS 2A INTERNAL CLASS 2B	CHECKER	DATE	DRAWING NO. 4004-0021
	SCALE		REVISION
	CLASS		