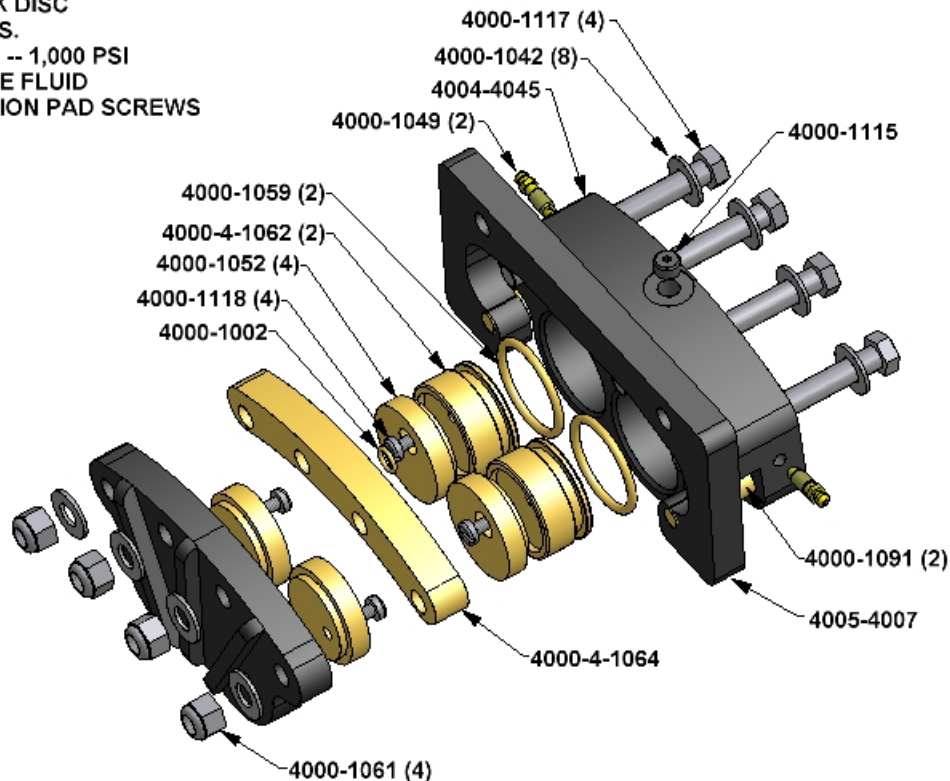


- * SPACER FOR 5/32 INCH THICK DISC
- * TORQUE BOLTS TO 25 FT. LBS.
- * MAX. OPERATING PRESSURE -- 1,000 PSI
- * EPR SEALS FOR DOT 3 BRAKE FLUID
- * USE LOC-TITE #242 ON FRICTION PAD SCREWS



UNLESS OTHERWISE SPECIFIED

DO NOT SCALE DRAWING
REMOVE ALL BURRS
TAP DEPTHS FULL THD.
DRILL DEPTHS FULL DIA.

TOLERANCES
2 PLACE -- ±.010
3 PLACE -- .005

THREADS
EXTERNAL CLASS 2A
INTERNAL CLASS 2B

THIRD ANGLE PROJECTION



DESIGNED BY
WCB 11/21/02
CHECKED
DATE

SCALE
CLASS

W.C. BRANHAM INC.
RIVER FALLS, WI.

TT F
H200SAFG CALIPER

DRAWING NO. REVIS ON