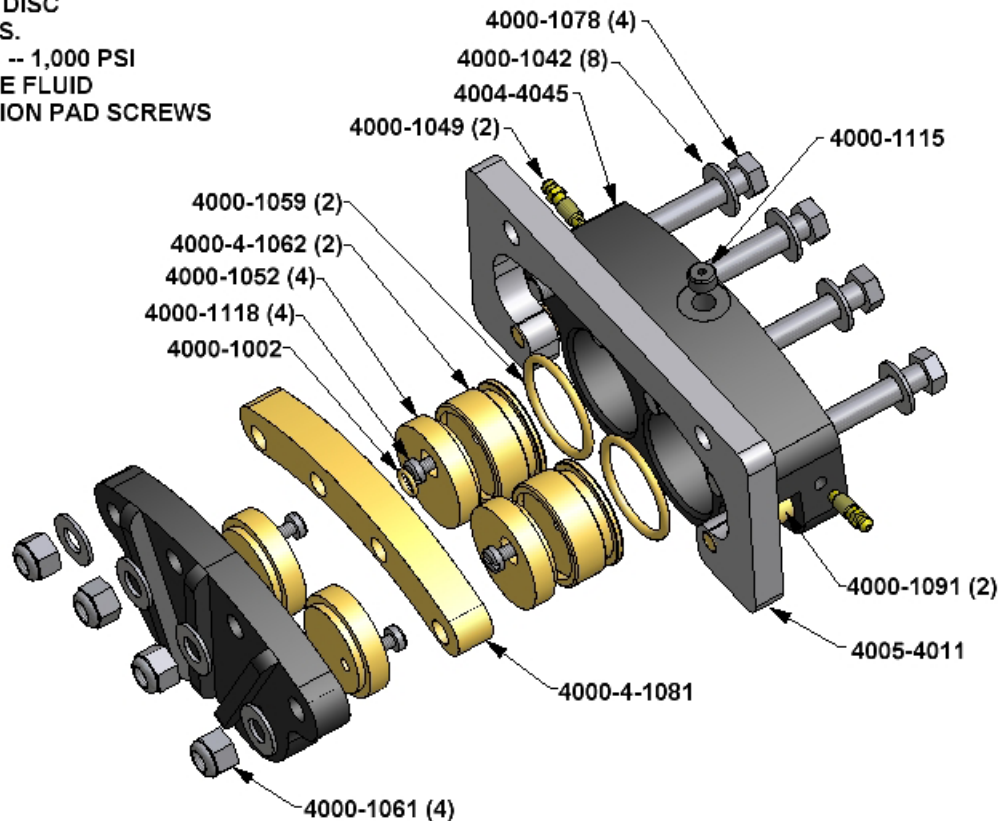


- * SPACER FOR 1/2 INCH THICK DISC
- * TORQUE BOLTS TO 25 FT. LBS.
- * MAX. OPERATING PRESSURE -- 1,000 PSI
- * EPR SEALS FOR DOT 3 BRAKE FLUID
- * USE LOC-TITE #242 ON FRICTION PAD SCREWS



UNITS: INCHES DO NOT SCALE DRAWING REMOVE ALL BURRS TAP DEPTHS FULL THD. DRILL DEPTHS FULL D.A.	TUBS AND PROJECTION 	W.C. BRANHAM INC RIVER FALLS, WI.
TOLERANCES: 2 PLACE ±.010 3 PLACE ±.005	DESIGNER: WCB DATE: 11/21/02 CHECKER:	H200SEFG CALIPER
FINISH: EXTERNAL CLASS 2A INTERNAL CLASS 2B	SCALE: 1:1	DRAWING NO.: 4004-0099 REVISION: