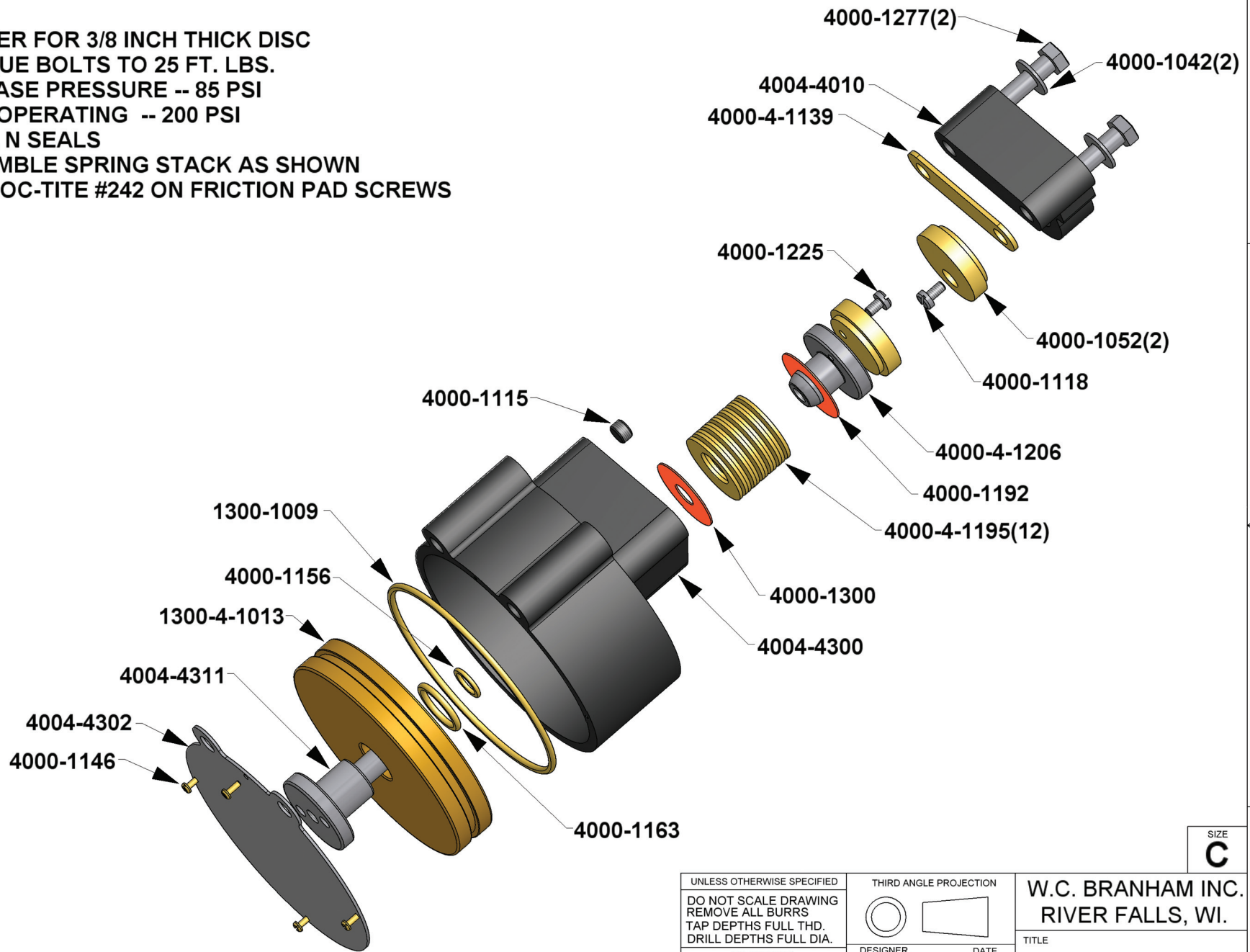


- * SPACER FOR 3/8 INCH THICK DISC
- * TORQUE BOLTS TO 25 FT. LBS.
- * RELEASE PRESSURE -- 85 PSI
- * MAX. OPERATING -- 200 PSI
- * BUNA N SEALS
- * ASSEMBLE SPRING STACK AS SHOWN
- * USE LOC-TITE #242 ON FRICTION PAD SCREWS



SIZE
C

UNLESS OTHERWISE SPECIFIED DO NOT SCALE DRAWING REMOVE ALL BURRS TAP DEPTHS FULL THD. DRILL DEPTHS FULL DIA.	THIRD ANGLE PROJECTION		W.C. BRANHAM INC. RIVER FALLS, WI.
	DESIGNER WCB	DATE 02/17/09	
TOLERANCES 2 PLACE +/- .010 3 PLACE +/- .005	CHECKER	DATE	DRAWING NO. 4004-0226
THREADS EXTERNAL CLASS 2A INTERNAL CLASS 2B	SCALE	CLASS	REVISION