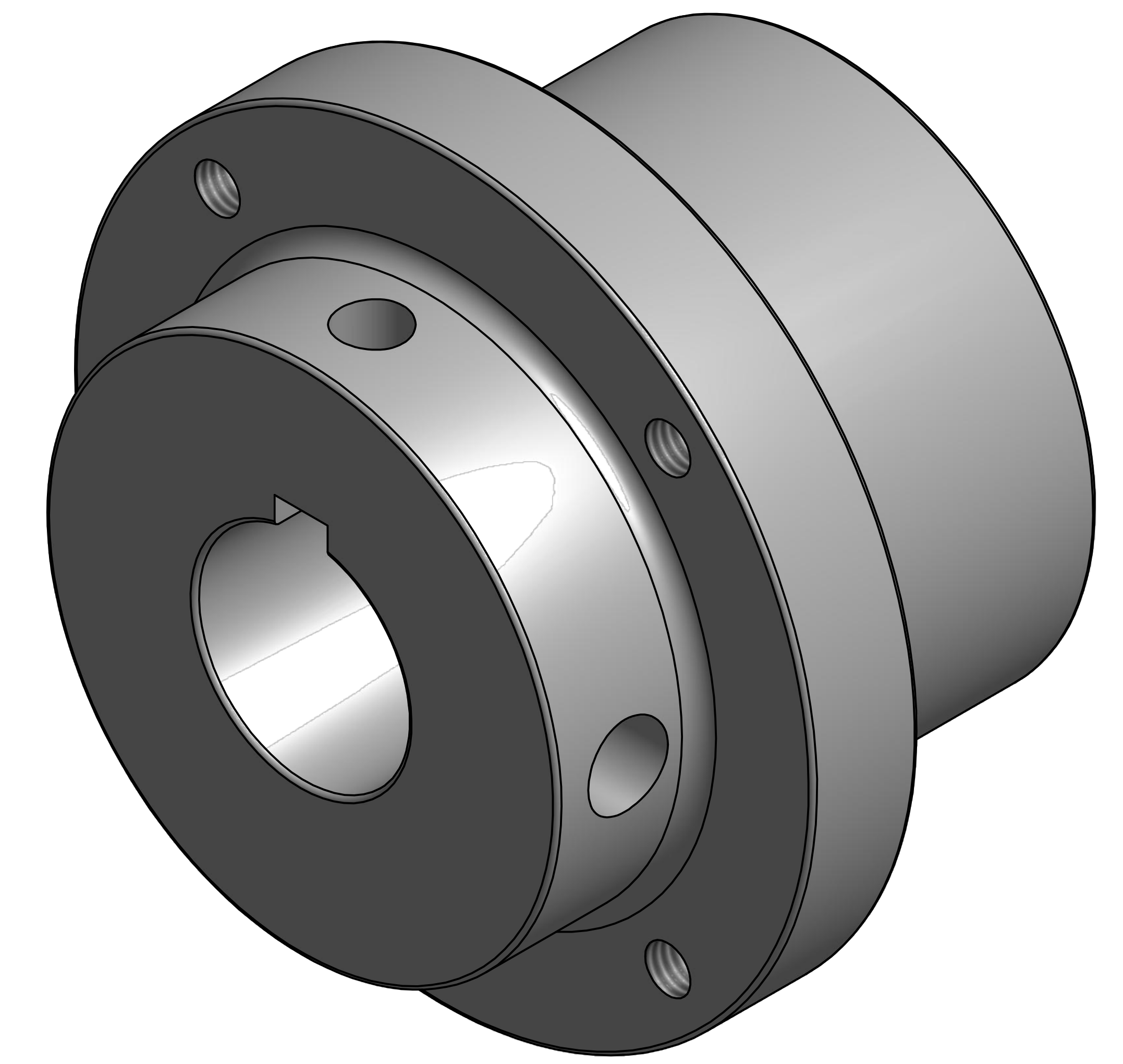
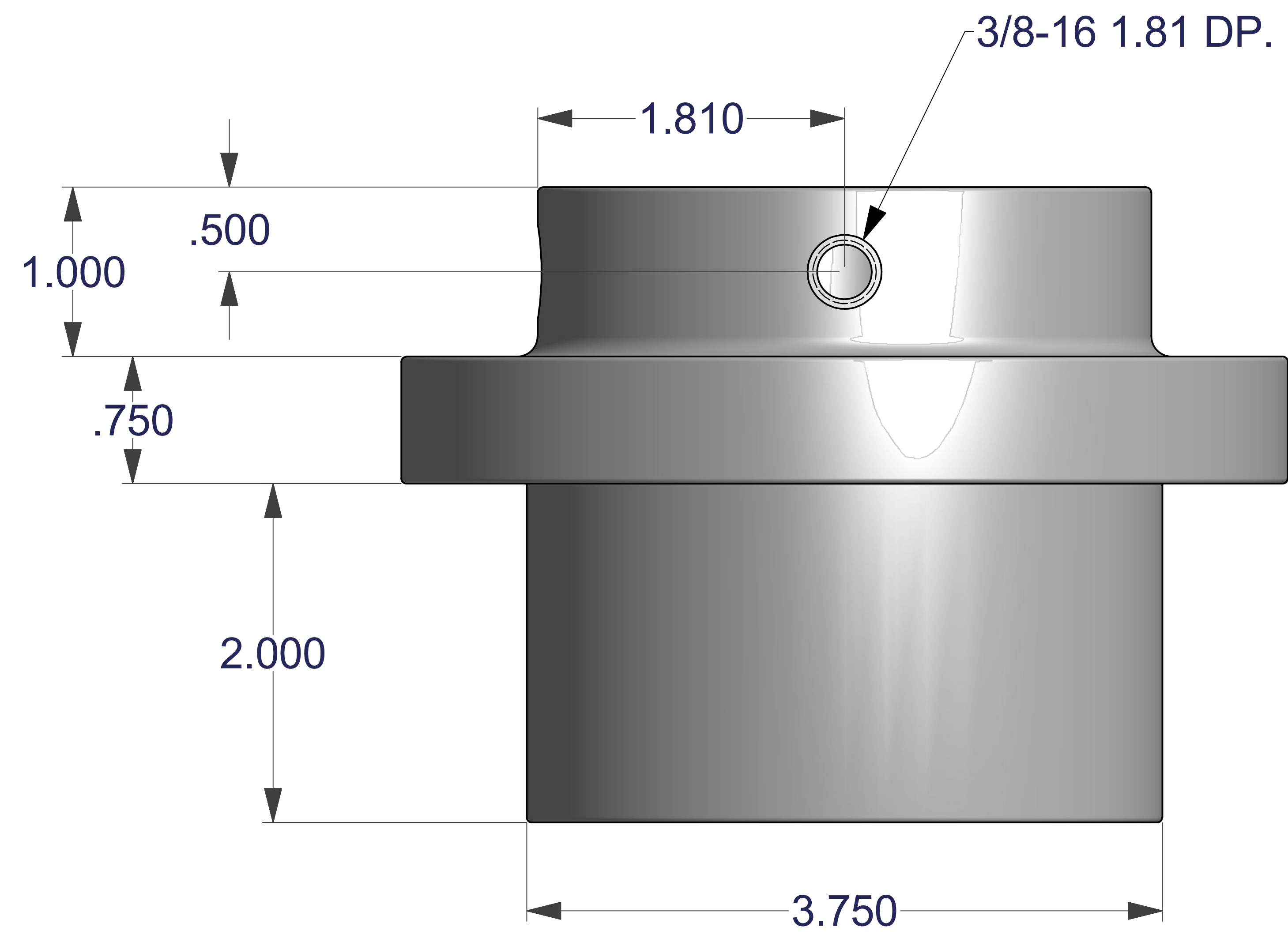
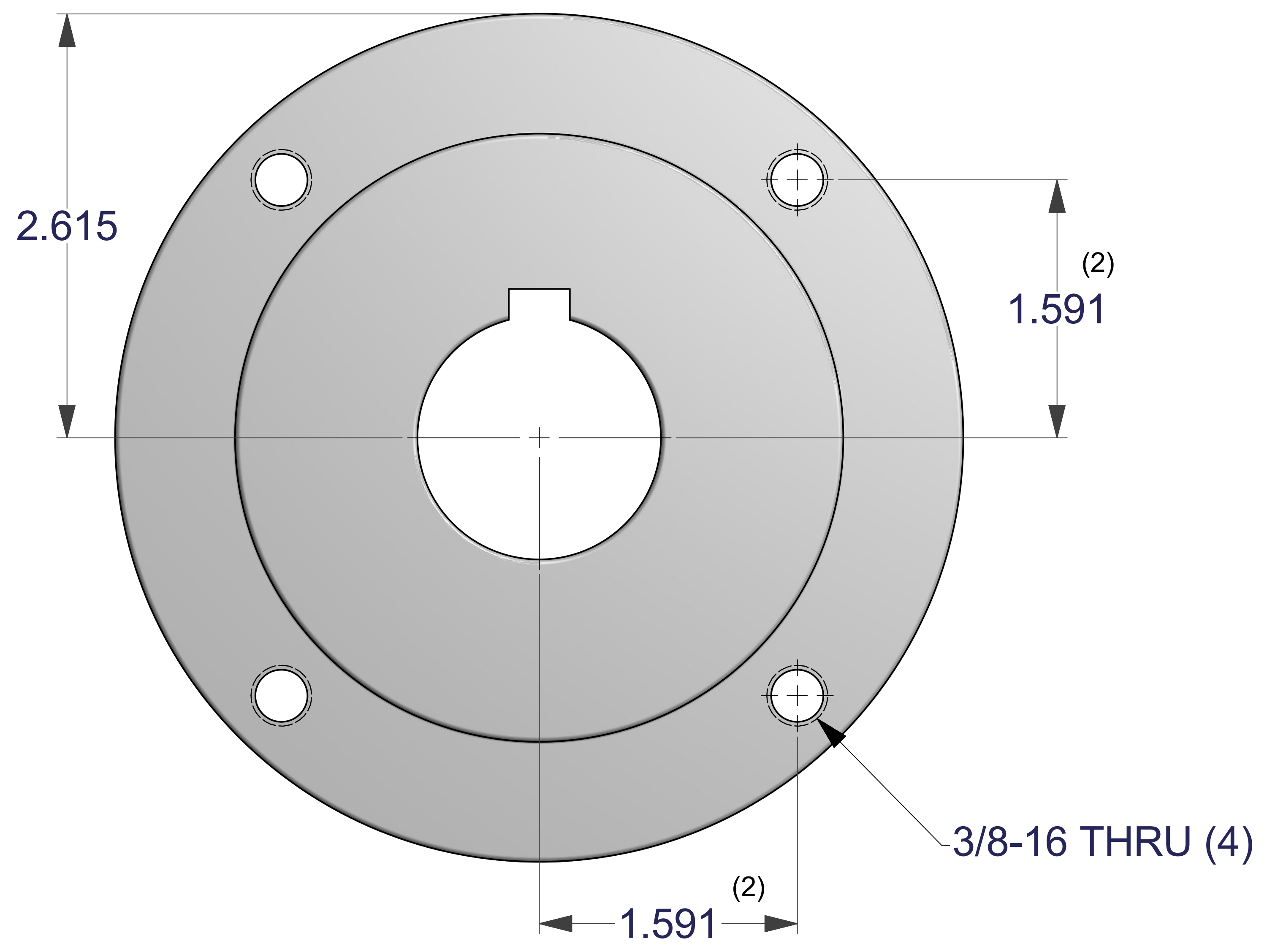
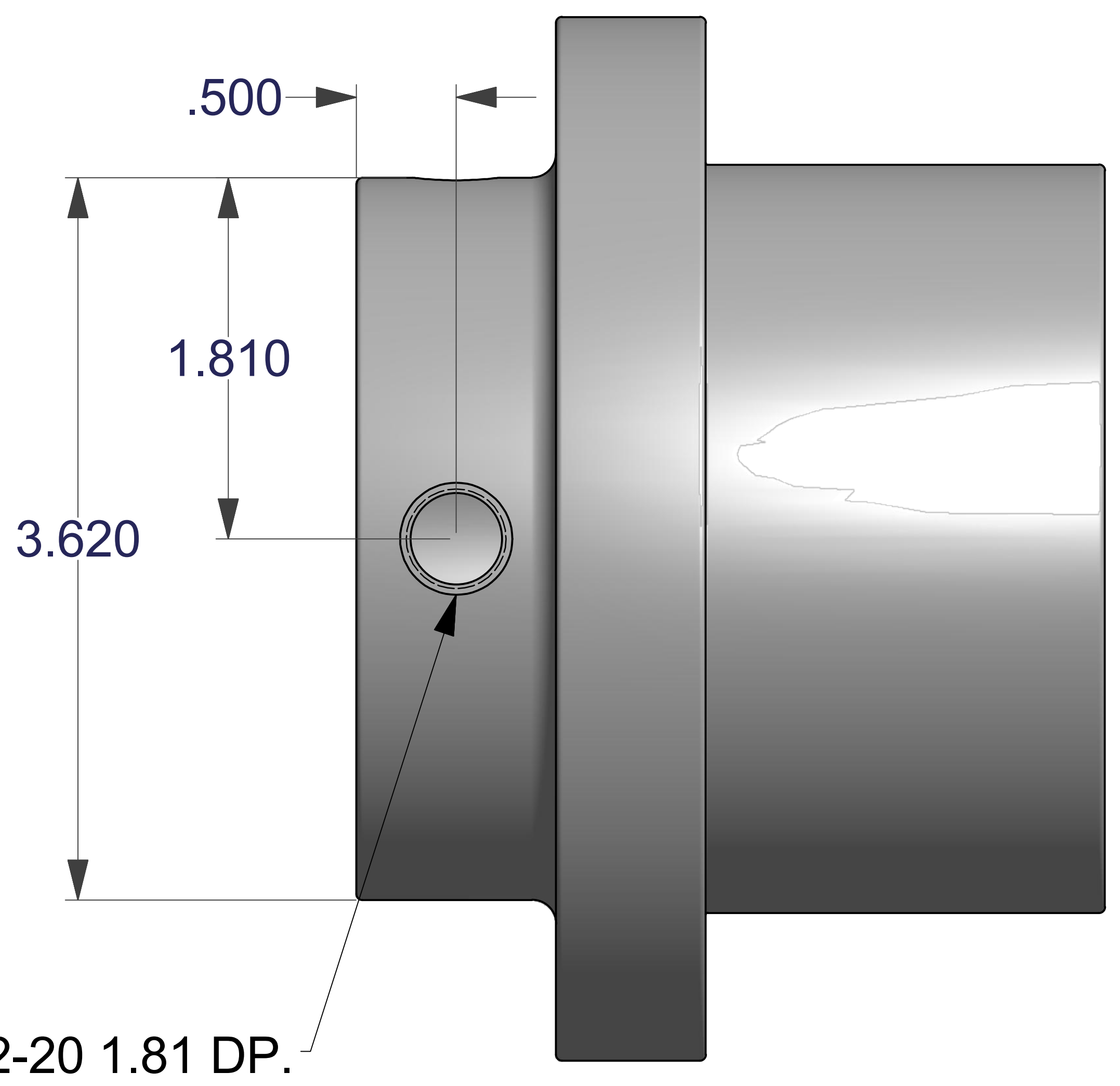


PART NO.	BORE SIZE	KEY SIZE
4804-4124	1.50	3/8 X 3/8
4804-4128	1.75	3/8 X 3/8
4804-4132	2.00	1/2 X 1/2
4804-4136	2.25	1/2 X 1/2
4804-4140	2.50	5/8 X 5/8



MATERIAL: COLD DRAWN 1215
 FINISH: BLACK OXIDE
 BORE TOLERANCE: +.002/-0.000
 KEYWAY TOLERANCE: +.002/-0.000



SIZE
E

UNLESS OTHERWISE SPECIFIED: DO NOT SCALE DRAWING REMOVE ALL BURRS TAP DEPTHS FULL THD. DRILL DEPTHS FULL DIA.	THIRD ANGLE PROJECTION		W.C. BRANHAM INC. RIVER FALLS, WI.	
	TOLERANCES	DESIGNER		DATE
	2 PLACE +/- .010 3 PLACE +/- .005	WCB		08/18/11
	THREADS	CHECKER		DATE
EXTERNAL CLASS 2A INTERNAL CLASS 2B	SCALE		TITLE DISC HUBS, 12 & 16 IN. DISCS	
	CLASS		DRAWING NO.	
			REVISION	