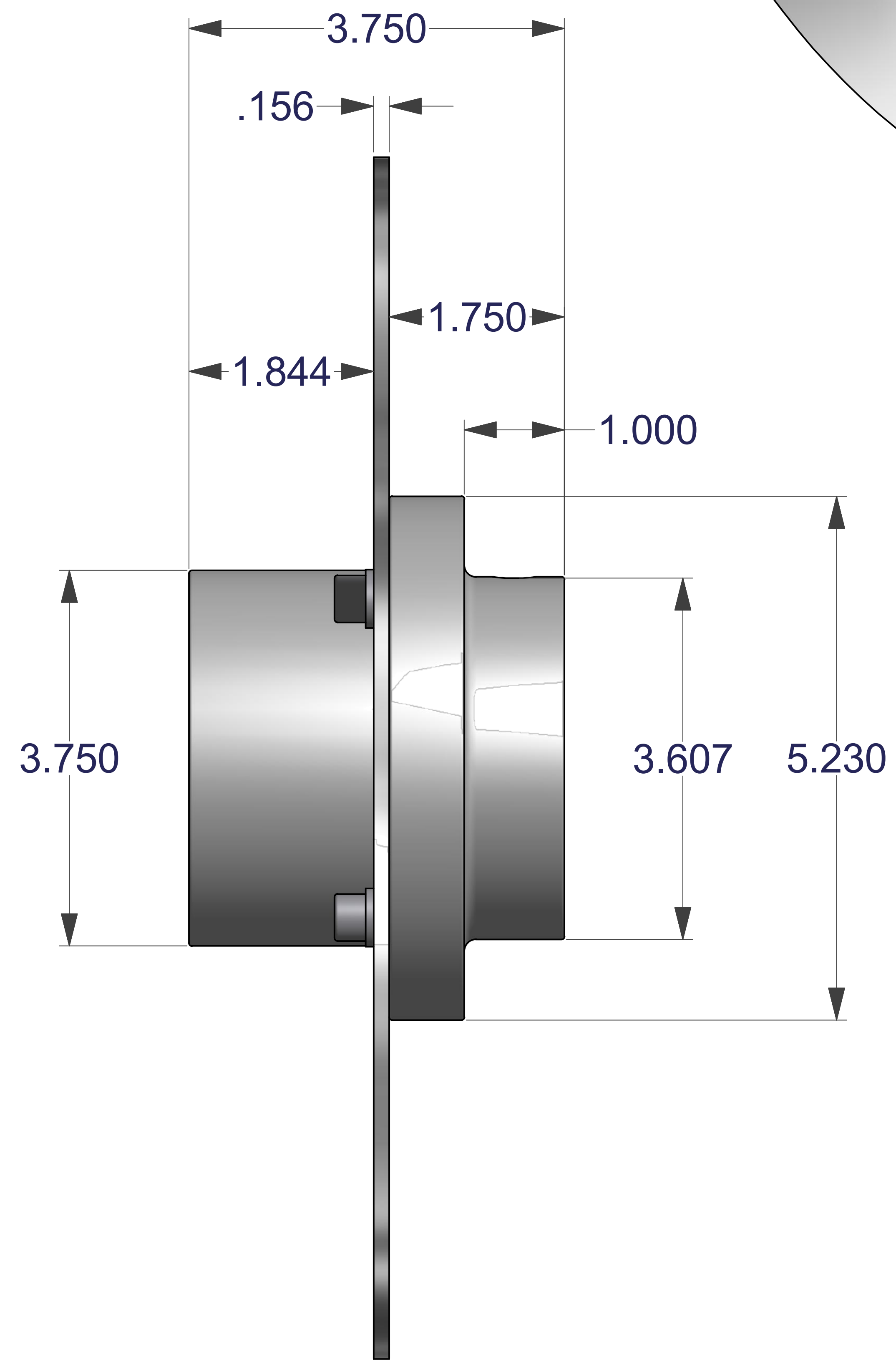
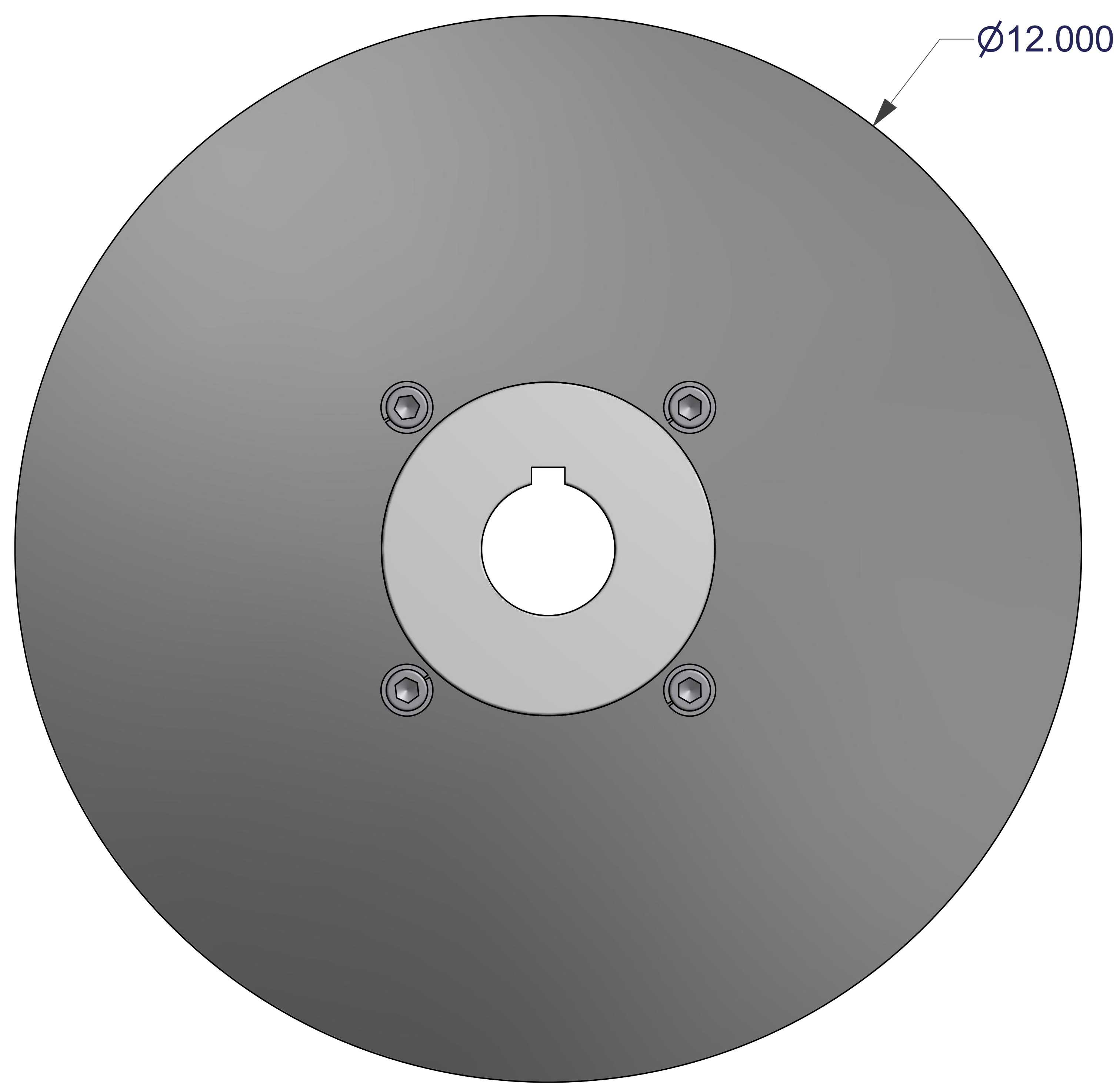
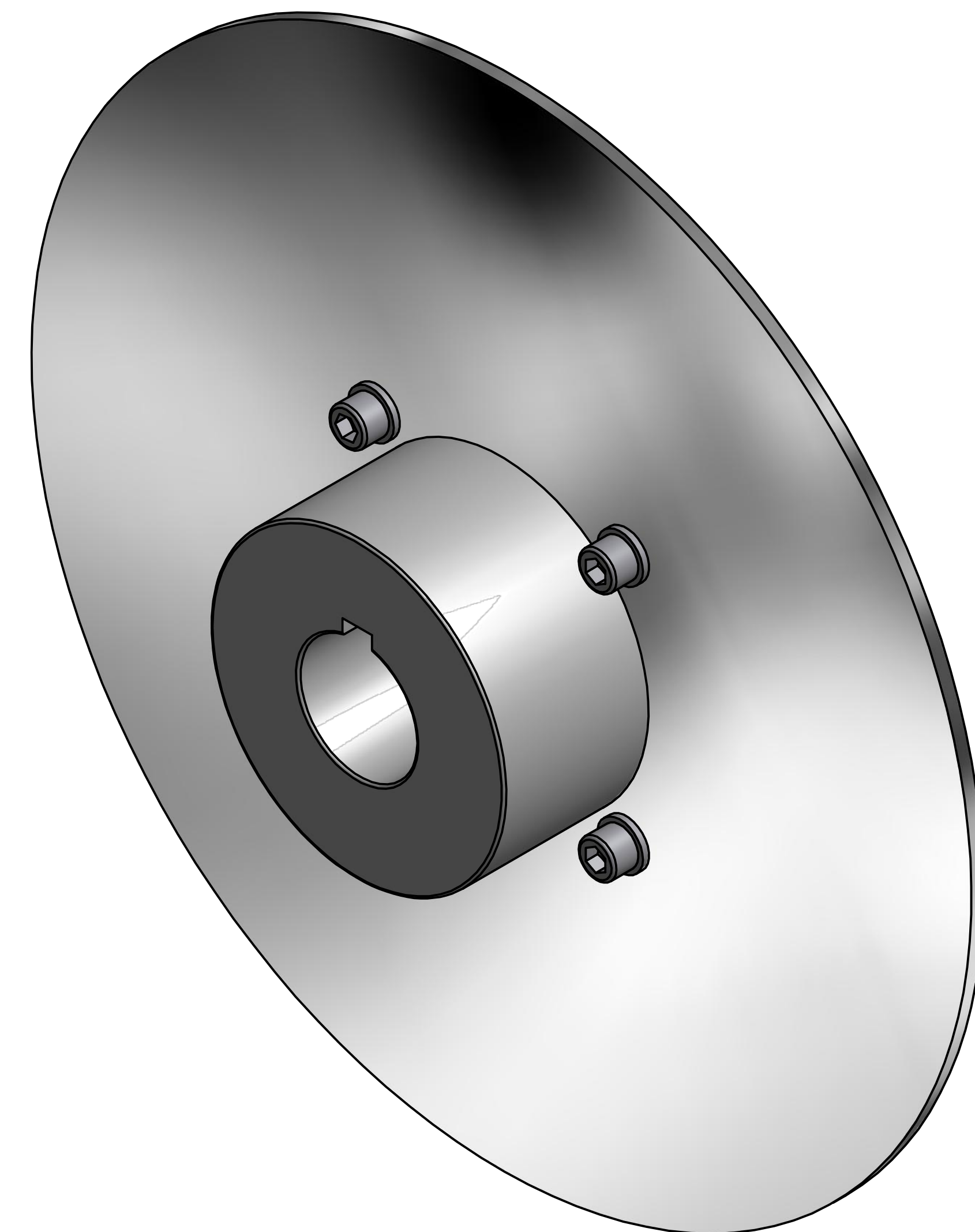


MODEL NO.	BORE SIZE	KEY SIZE
4804-0024	1.500	3/8 X 3/8
4804-0028	1.750	3/8 X 3/8
4804-0032	2.000	1/2 X 1/2
4804-0036	2.250	1/2 X 1/2
4804-0040	2.500	5/8 X 5/8



- * MATERIAL: 1010/1015 STEEL STRESS RELIEVED
- * SURFACES PARALLEL WITHIN .010
- * SURFACES GROUND TO 80 RMS
- * HUBS MACHINED FROM 1018 STEEL
- * TEMPERATURE RATED TO 300 DEGREES
- * FOR USE WITH 38, 47, 200, 400 SERIES CALIPERS

UNLESS OTHERWISE SPECIFIED: DO NOT SCALE DRAWING REMOVE ALL BURRS TAP DEPTHS FULL THD. DRILL DEPTHS FULL DIA.		THIRD ANGLE PROJECTION	W.C. BRANHAM INC. RIVER FALLS, WI.	
TOLERANCES 2 PLACE +/- .010 3 PLACE +/- .005	DESIGNER WCB	DATE 08/17/11	TITLE 12 IN. HUB/DISC ASSEMBLIES	
THREADS EXTERNAL CLASS 2A INTERNAL CLASS 2B	CHECKER	DATE	DRAWING NO. 4804-0024	REVISION
SCALE	CLASS			

SIZE
E