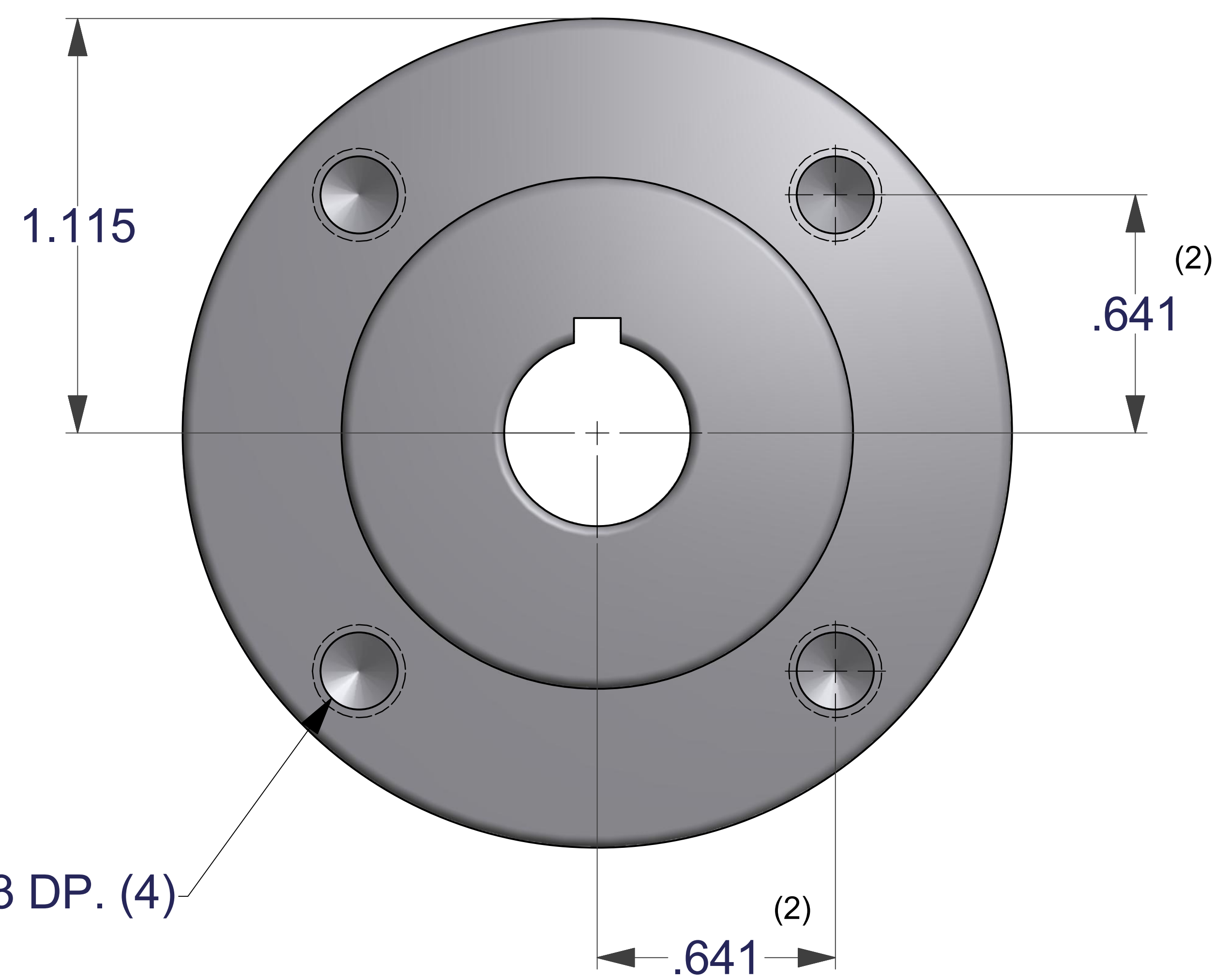
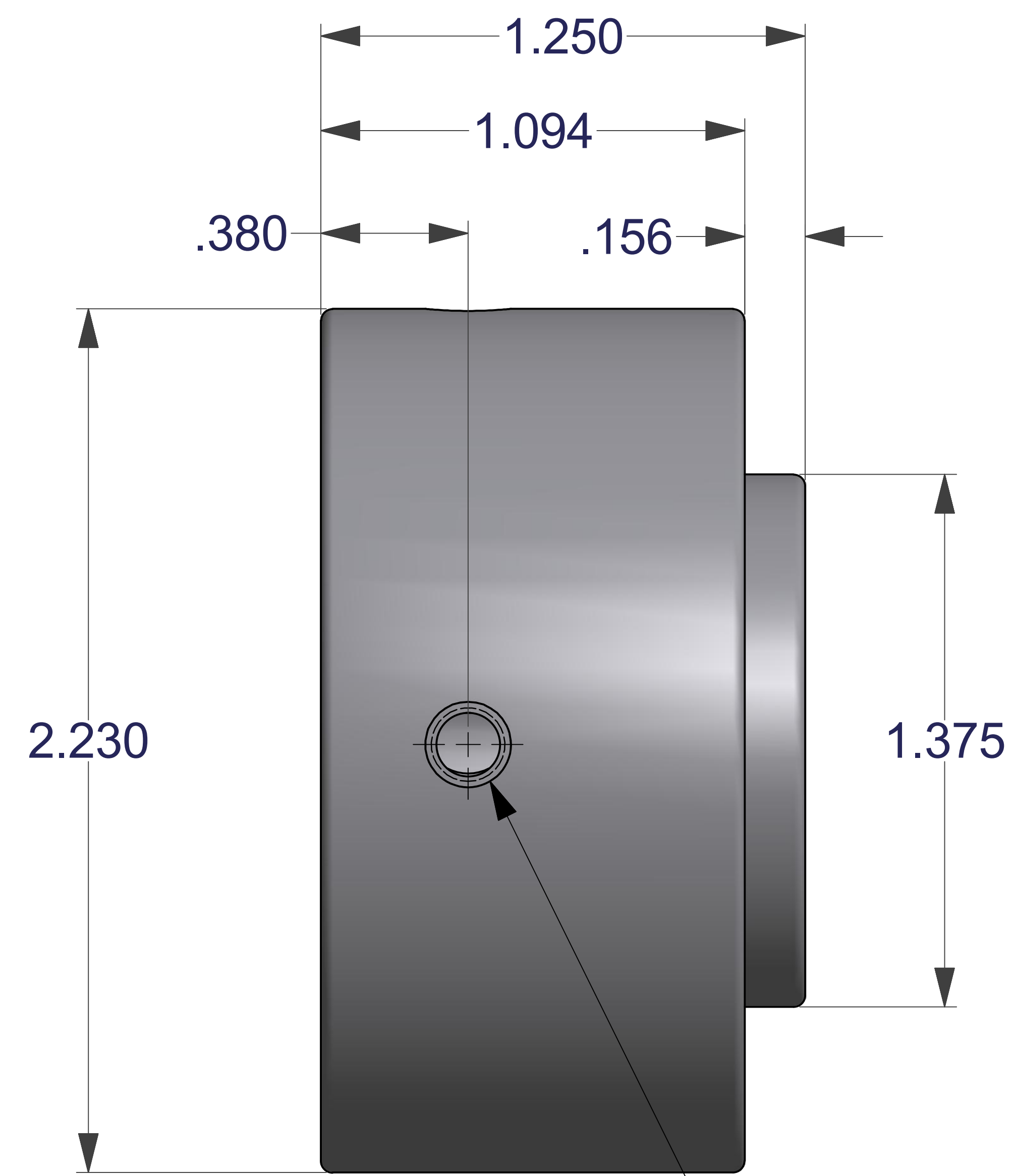
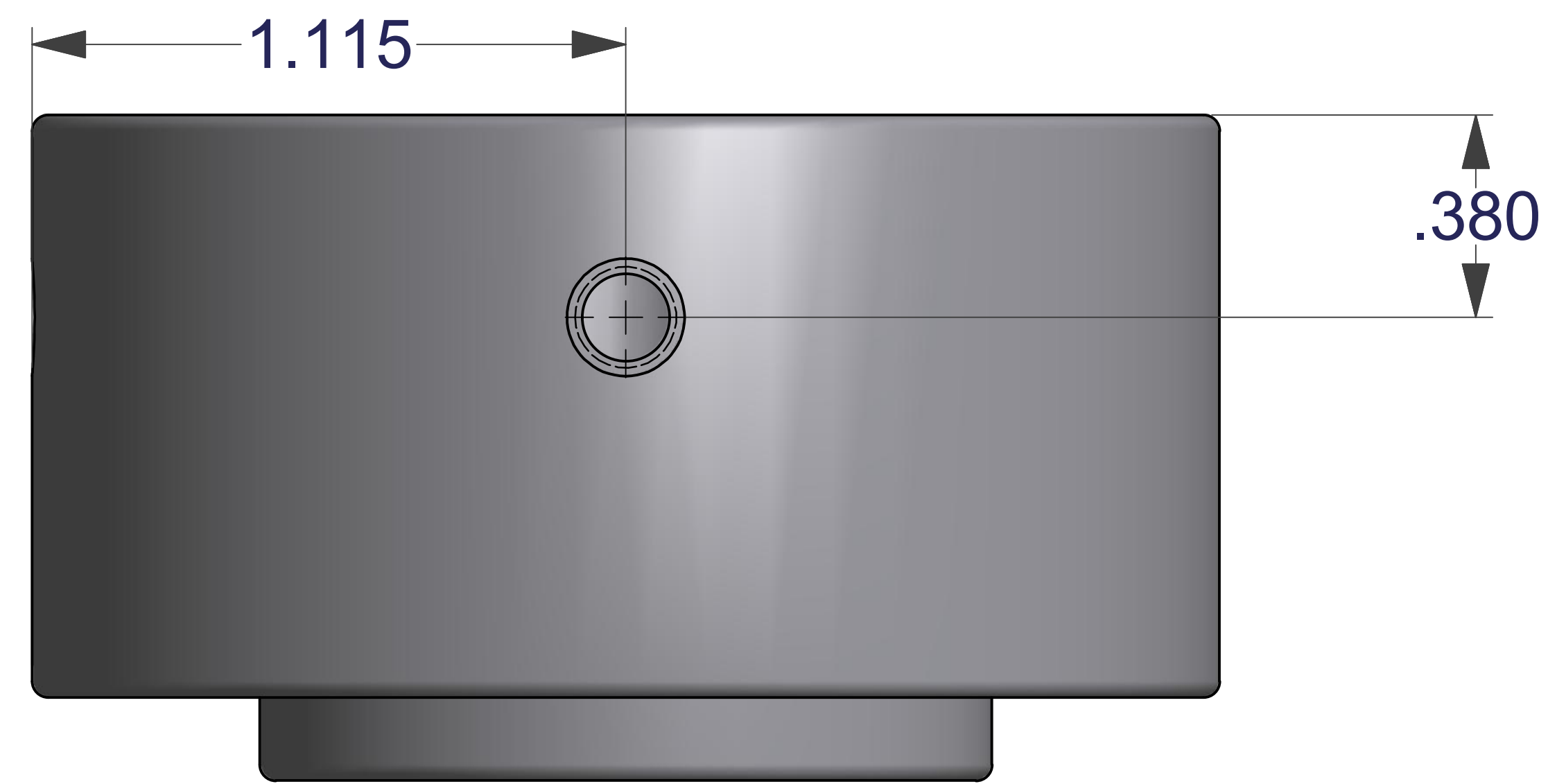


PART NO.	BORE SIZE	KEY SIZE
4801-4108	.500	1/8 X 1/8
4801-4110	.625	3/16 X 3/16
4801-4112	.750	3/16 X 3/16
4801-4114	.875	3/16 X 3/16
4801-4116	1.00	1/4 X 1/4

MATERIAL: COLD DRAWN 1215
 FINISH: BLACK OXIDE
 BORE TOLERANCE: +.002/-0.000
 KEYWAY TOLERANCE: +.002/-0.000



1/4-20 X .63 DP. (4)

10-32 X 1.12 DP. (2)

<small>UNLESS OTHERWISE SPECIFIED: DO NOT SCALE DRAWING REMOVE ALL BURRS TAP DEPTHS FULL THD. DRILL DEPTHS FULL DIA.</small>	<small>THIRD ANGLE PROJECTION</small> 	<small>DESIGNER</small> WCB	<small>DATE</small> 08/18/11	<small>TITLE</small> DISC HUBS, 6 5/16 DIA. DISC	
	<small>TOLERANCES</small> 2 PLACE +/- .010 3 PLACE +/- .005	<small>CHECKER</small> 	<small>DATE</small> 	<small>DRAWING NO.</small> 	<small>REVISION</small>
	<small>THREADS</small> EXTERNAL CLASS 2A INTERNAL CLASS 2B	<small>SCALE</small> 			
	<small>CLASS</small> 				

SIZE
E