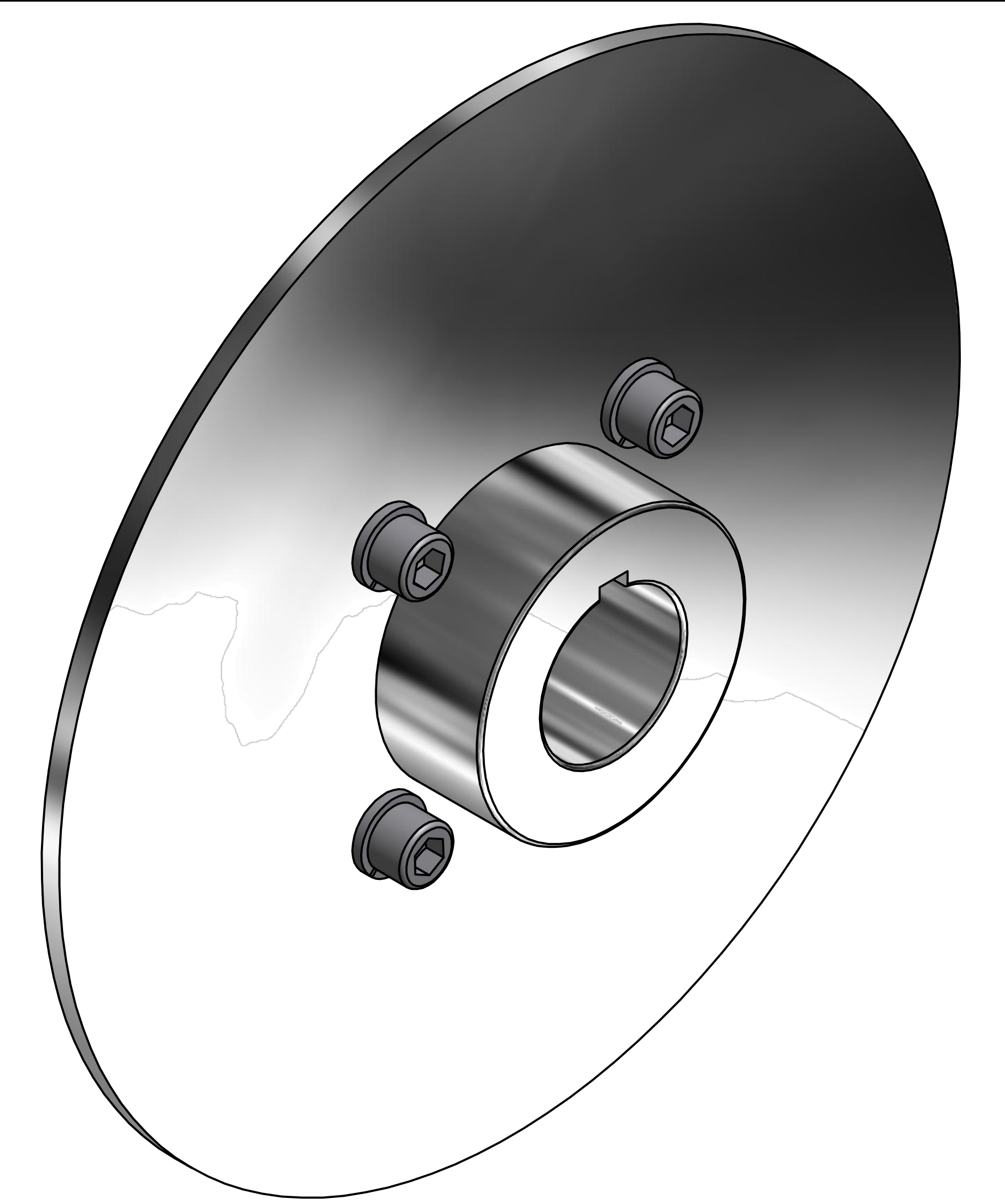
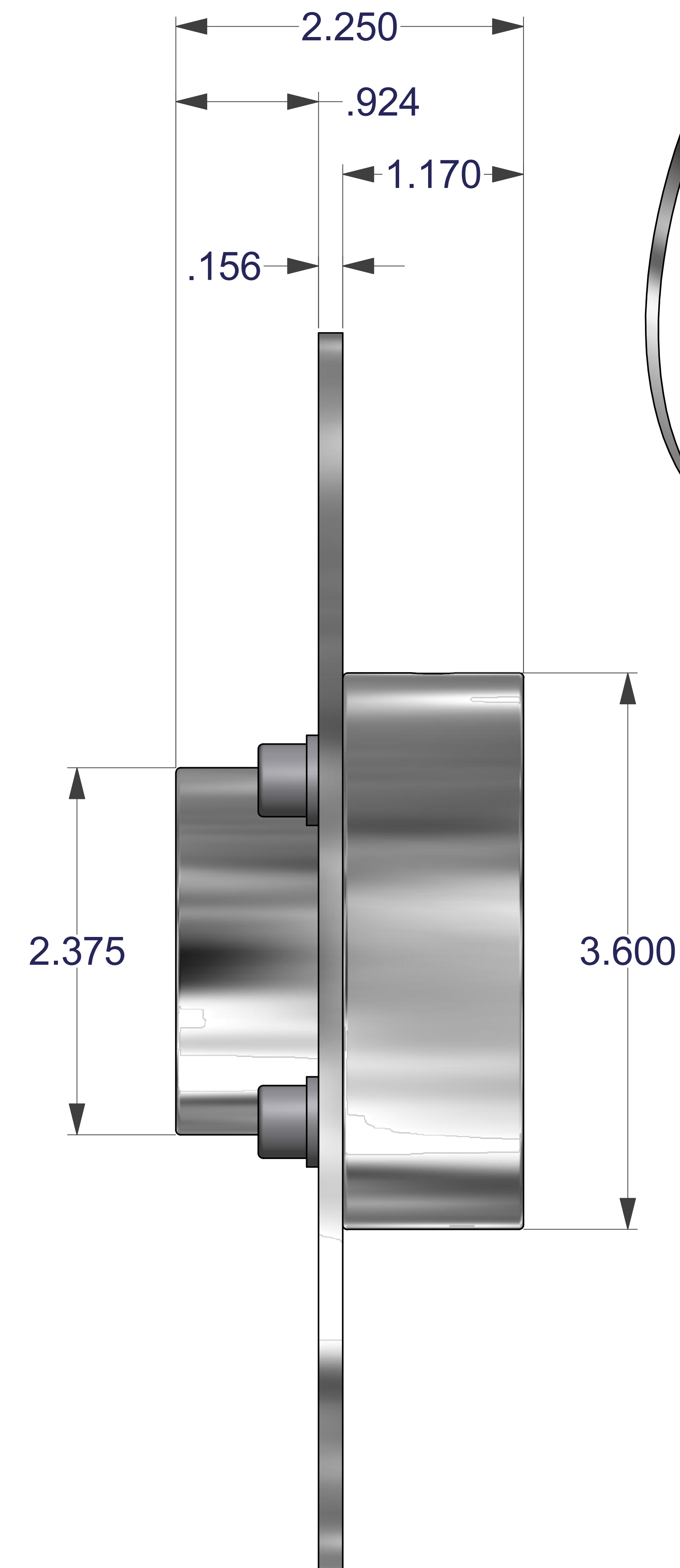
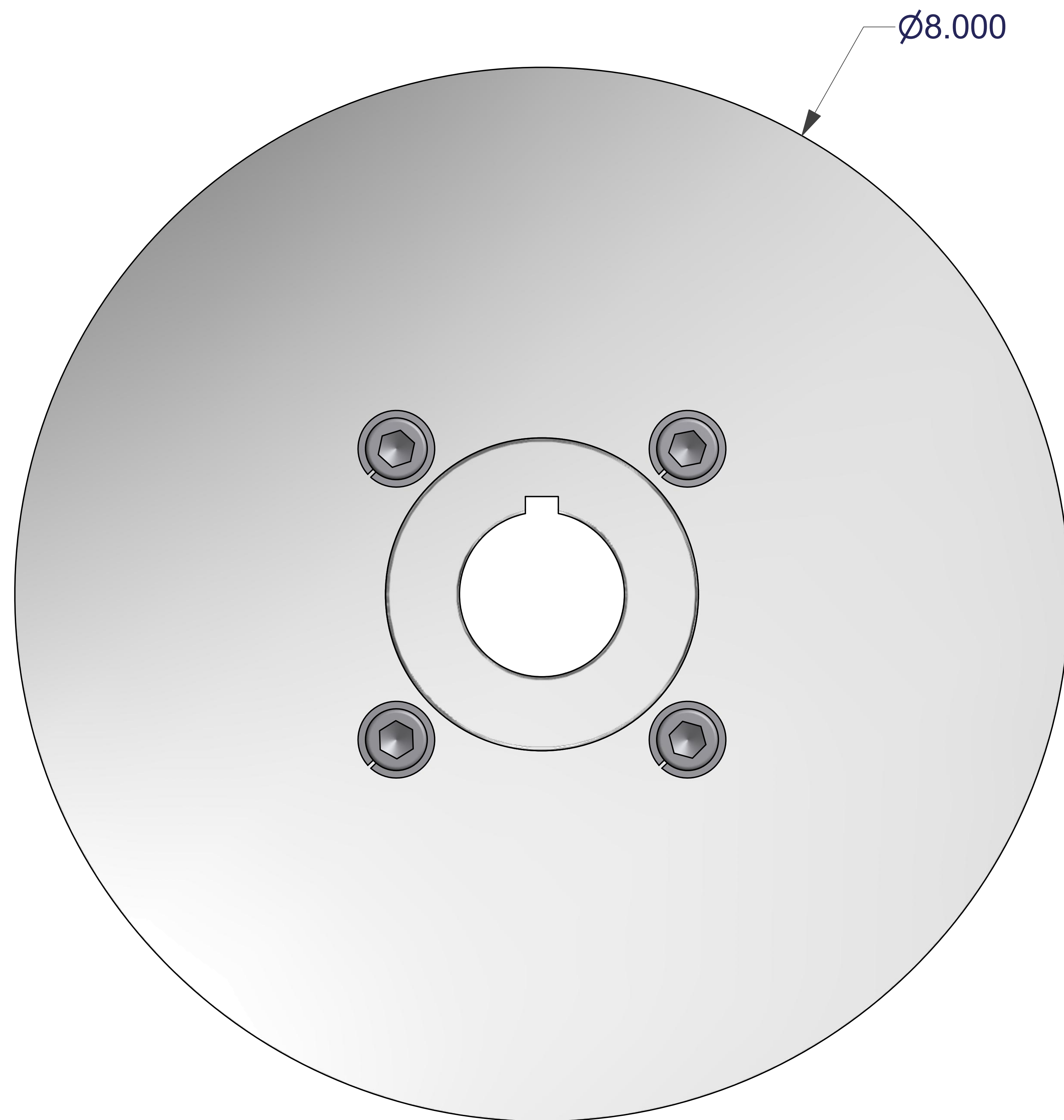


MODEL NO.	BORE SIZE	KEY SIZE
4802-0016	1.00	1/4 X 1/4
4802-0018	1.125	1/4 X 1/4
4802-0020	1.250	1/4 X 1/4
4802-0022	1.375	5/16 X 5/16
4802-0024	1.500	3/8 X 3/8
4802-0026	1.625	3/8 X 3/8
4802-0028	1.750	3/8 X 3/8



- * MATERIAL: 1010/1015 STEEL STRESS RELIEVED
- * SURFACES PARALLEL WITHIN .010
- * SURFACES GROUND TO 80 RMS
- * HUBS MACHINED FROM 1018 STEEL
- * TEMPERATURE RATED TO 300 DEGREES
- * FOR USE WITH 38, 47, 200 & 400 SERIES CALIPERS

UNLESS OTHERWISE SPECIFIED: DO NOT SCALE DRAWING REMOVE ALL BURRS TAP DEPTHS FULL THD. DRILL DEPTHS FULL DIA.		THIRD ANGLE PROJECTION		W.C. BRANHAM INC. RIVER FALLS, WI.	
TOLERANCES 2 PLACE +/- .010 3 PLACE +/- .005		DESIGNER WCB	DATE 08-17-11	TITLE 8 IN. HUB/DISC ASSEMBLIES	
THREADS EXTERNAL CLASS 2A INTERNAL CLASS 2B		CHECKER	DATE	DRAWING NO. 4802-0020	REVISION
SCALE		CLASS		SIZE E	