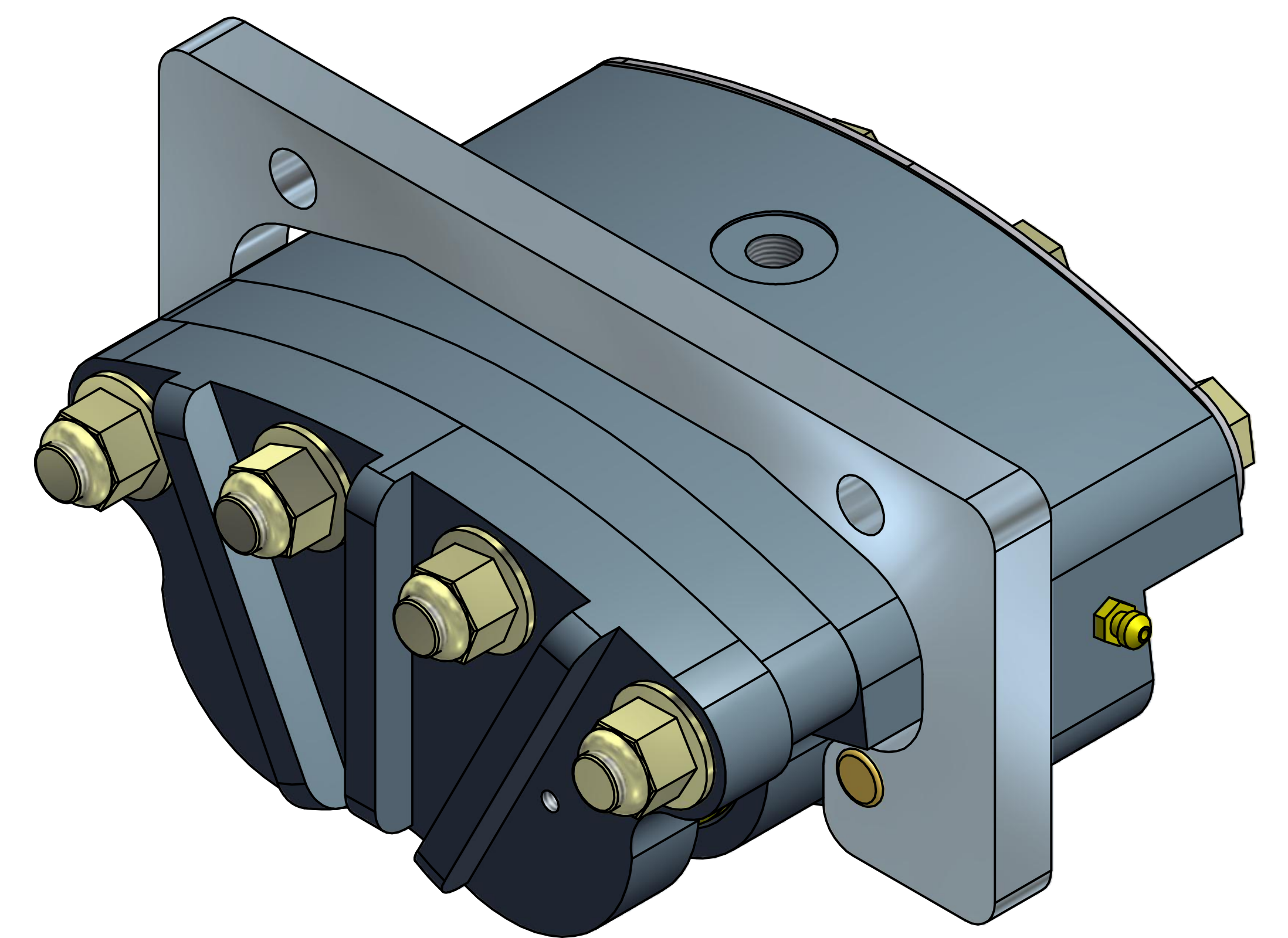


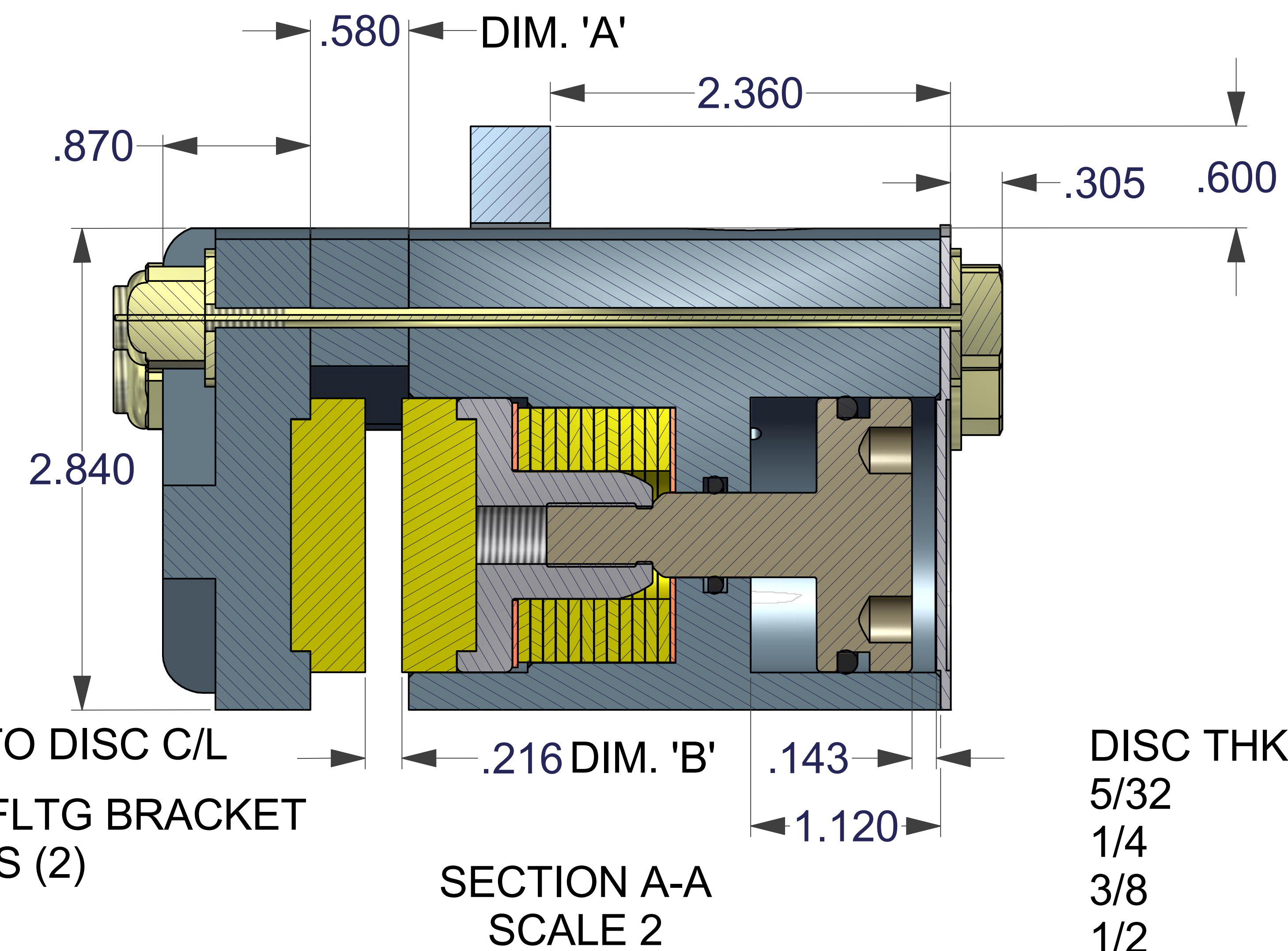
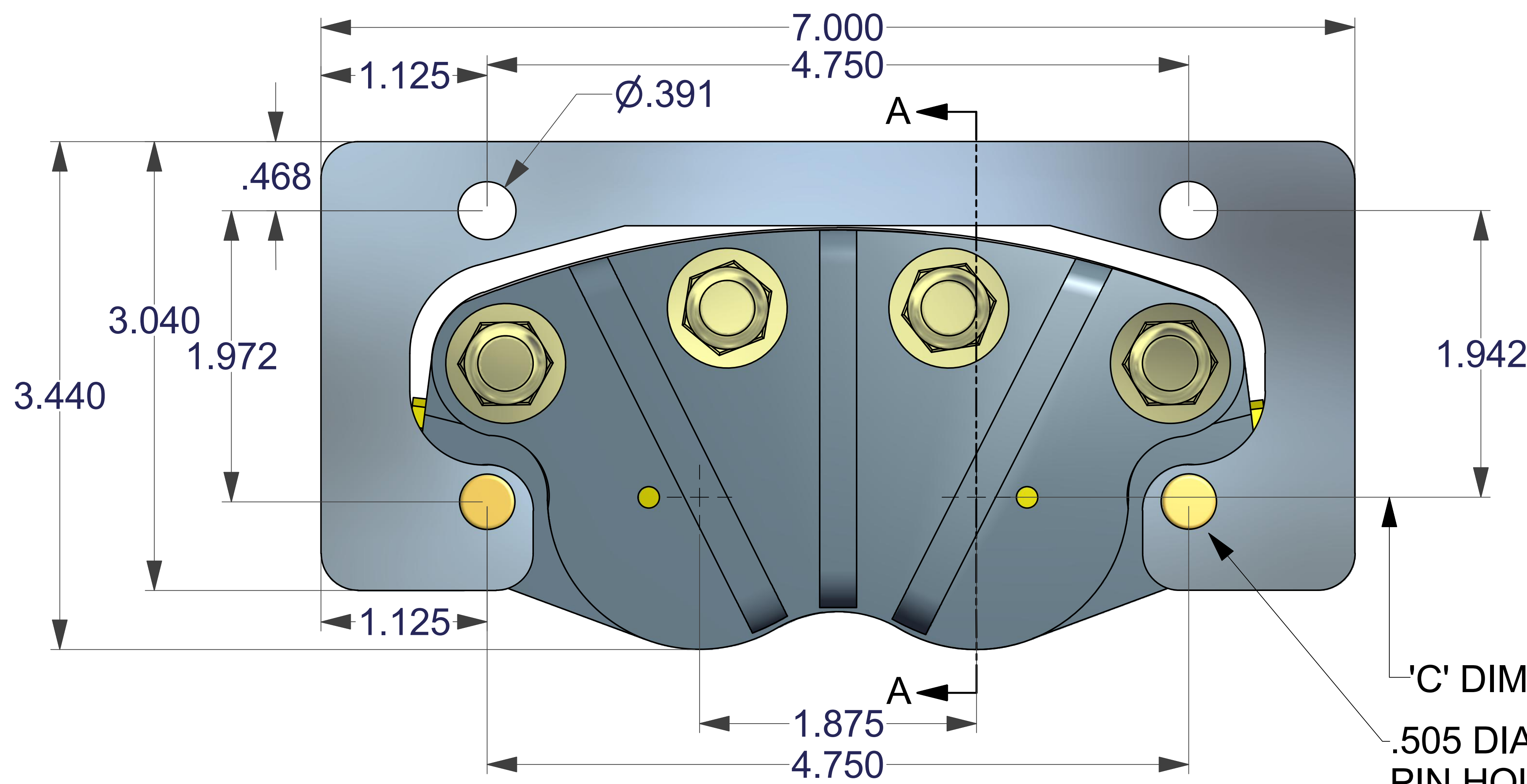
TOTAL PAD WEAR, INCHES	TANGENTIAL FORCE, LBS.
0	929
.06	796
.12	663
.18	531
.24	398
.30	265
.36	132
.42	0



- * 1,500 PSI MAX. PRESSURE
- * 750 PSI RELEASE PRESSURE
- * EXTRUDED ALUM. HSGS. HARDCOATED
- * 8.19 SQ. INCHES TOTAL FRICTION PAD AREA
- * 2,065 LBS. OF CLAMPING FORCE
- * .45 COFF. OF FRICTION PAD #951023
- * DISC DIAMETERS TO 16 INCHES
- * 4.0 SQ. INCHES PISTON AREA
- * REPLACEABLE FRICTION PADS
- * DUAL BELLEVILLE SPRING STACKS. 12 EACH
- * NON-ASBESTOS FRICTION MATERIAL
- * BUNA N SEALS. VITON OPTIONAL
- * 1.82 CUBIC INCHES WEARABLE VOLUME

ASSY. NO.	MODEL NO.	DISC THK.
4004-0164	FS200AF	5/32
4004-0165	FS200BF	1/4
4004-0166	FS200EF	1/2
4004-0167	FS200A	5/32
4004-0168	FS200B	1/4
4004-0180	FS200E	1/2
4004-0205	FS200LF	3/8
4004-0260	FS200L	3/8

SUFFIX 'F' -- FLTG. BRACKET



DISC DIA.	BRAKING RADIUS	DIM. 'C'
8.0	3.132	2.988
10.0	4.132	4.024
12.0	5.132	5.045
16.0	7.132	7.070

PFS200 BRAKES ARE FOR EMERGENCY STOP & HOLDING APPLICATIONS
 SPACERS ARE AVAILABLE FOR OTHER DISC THICKNESSES
 BRAKING RADIUS = DISC RADIUS - .867
 TORQUE, IN. LBS. = TANGENTIAL FORCE (LBS.) X BRAKING RADIUS (IN.)

DISC THK.	DIM. 'A'	DIM. 'B'
5/32	.580	.216
1/4	.674	.310
3/8	.799	.435
1/2	.924	.560
5/8	1.049	.685
3/4	1.174	.810
1.0	1.424	1.06
1.125	1.549	1.185

UNLESS OTHERWISE SPECIFIED:
 DO NOT SCALE DRAWING
 REMOVE ALL BURRS
 TAP DEPTHS FULL THD.
 DRILL DEPTHS FULL DIA.

TOLERANCES
 2 PLACE +/- .010
 3 PLACE +/- .005

THREADS
 EXTERNAL CLASS 2A
 INTERNAL CLASS 2B

THIRD ANGLE PROJECTION

DESIGNER: WCB 07/16/10
 CHECKER: DATE

SCALE: CLASS

W.C. BRANHAM INC.
 RIVER FALLS, WI.
 TITLE: FS200 SERIES
 DRAWING NO. REVISION

SIZE E