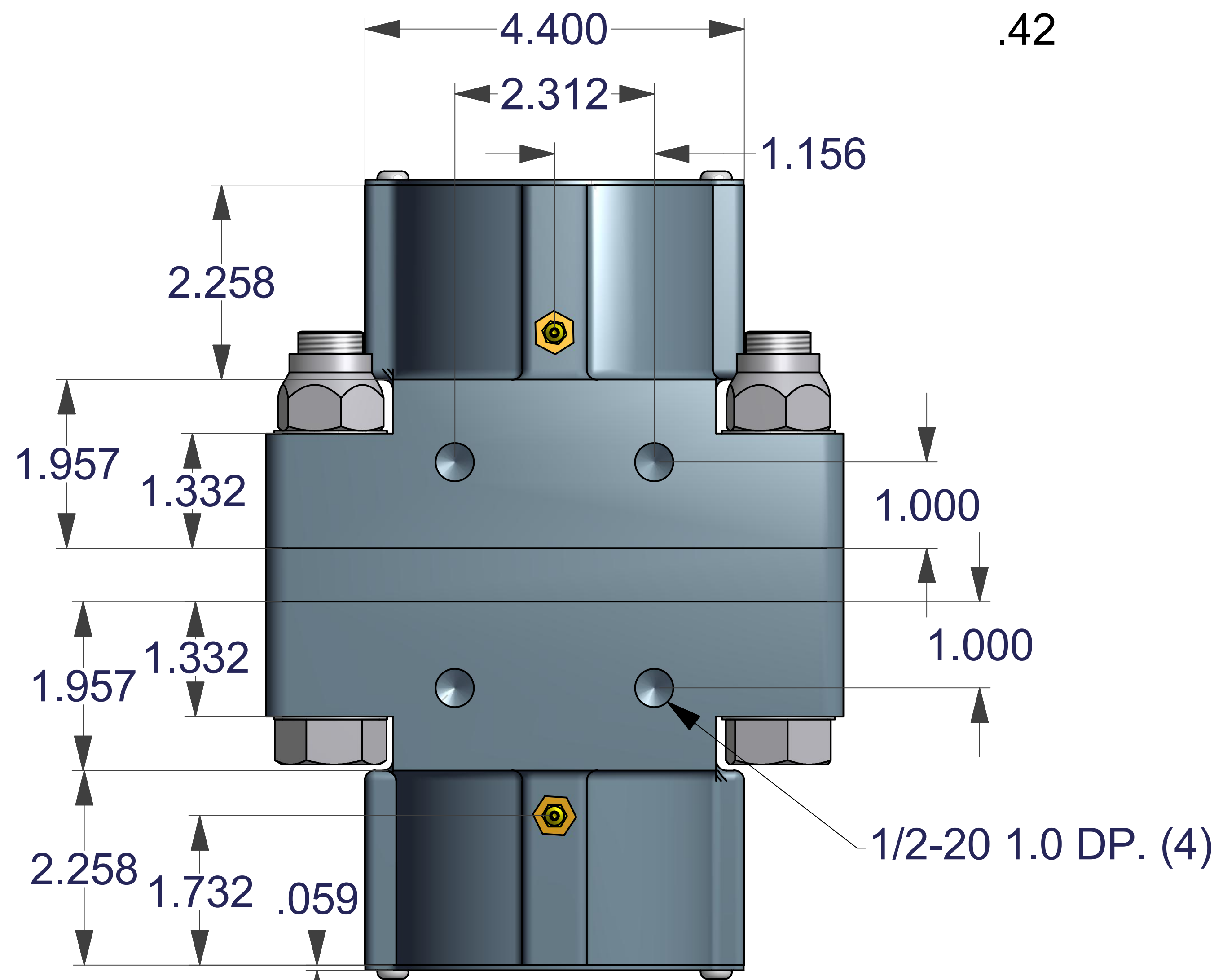
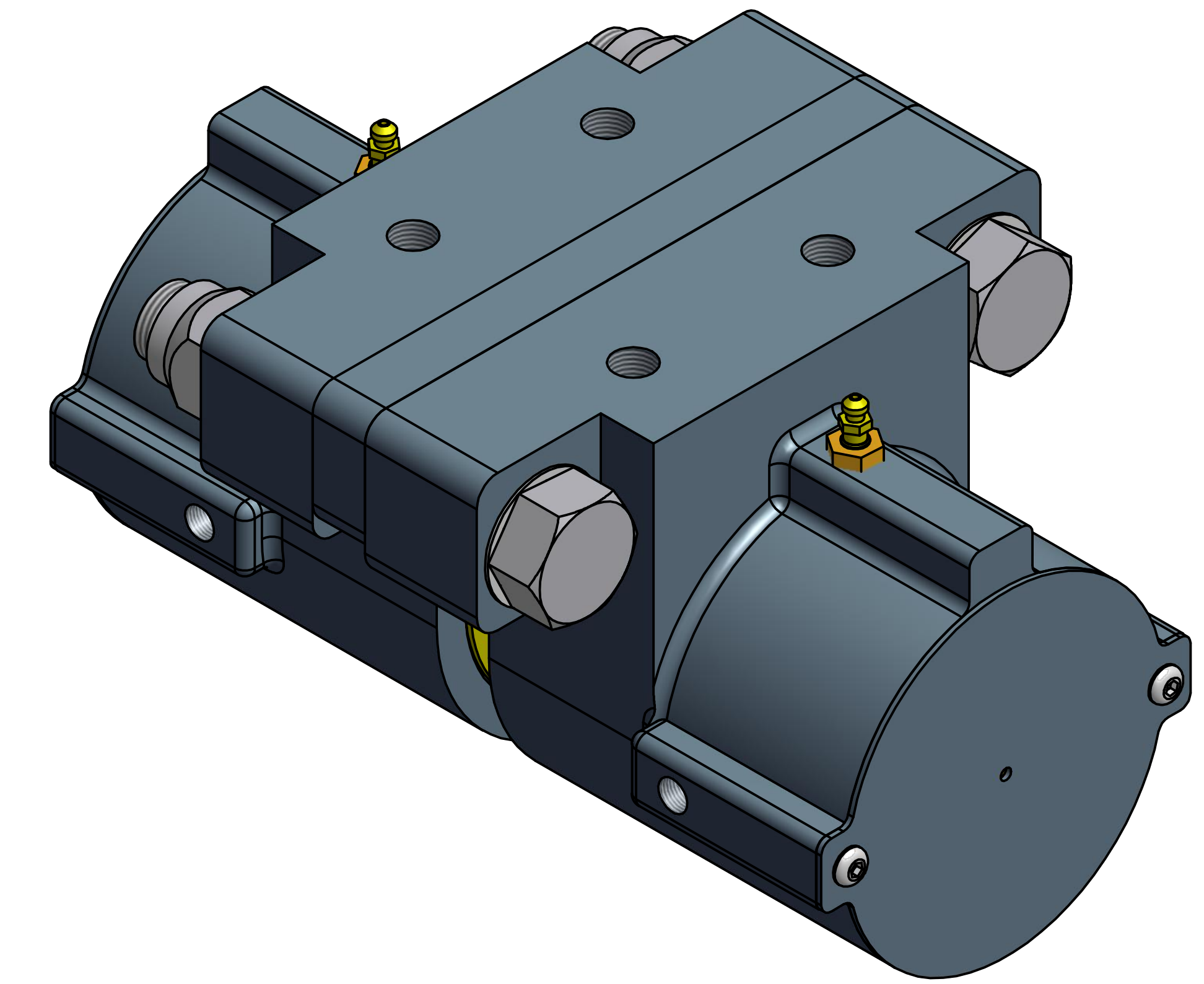


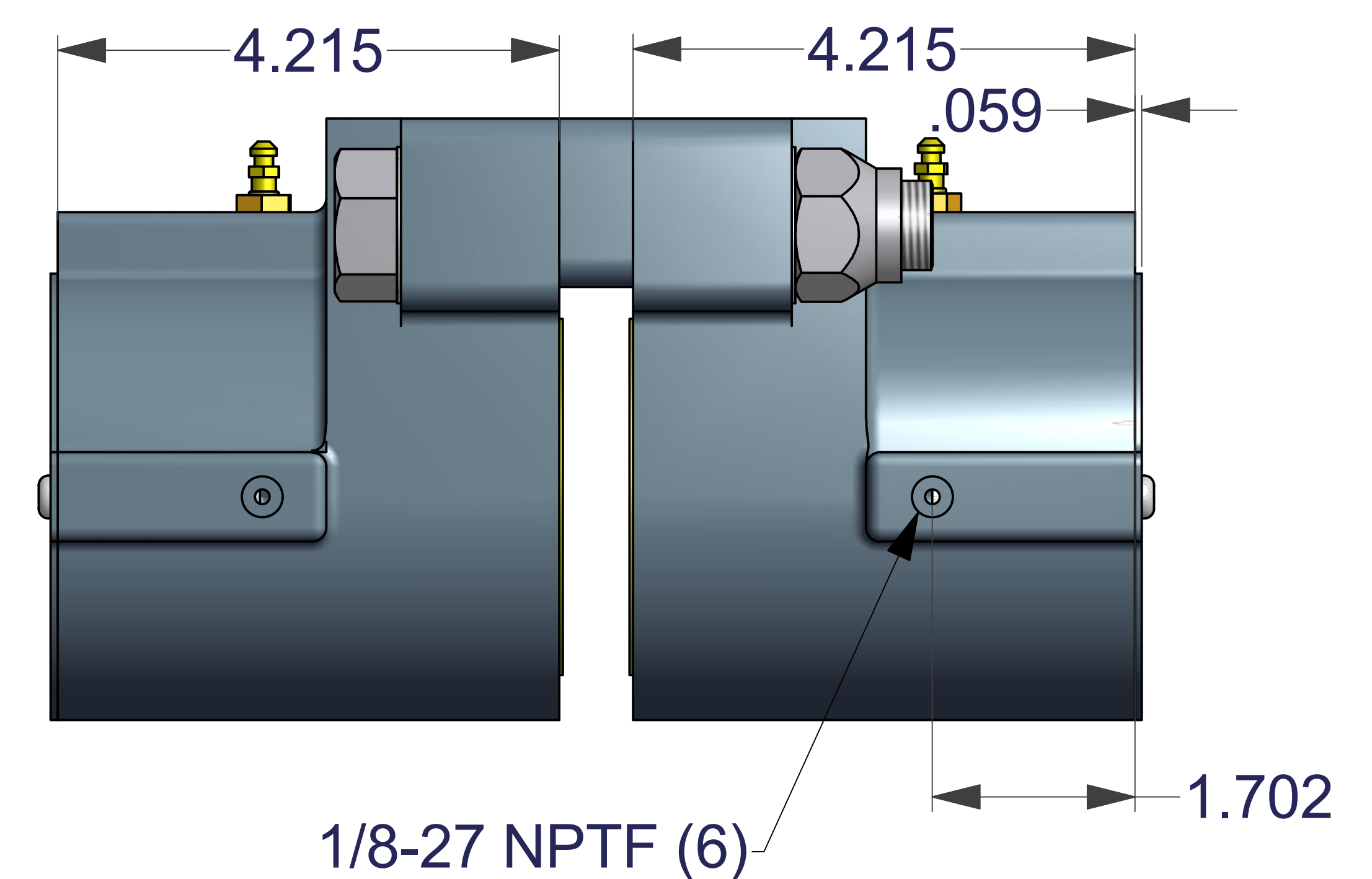
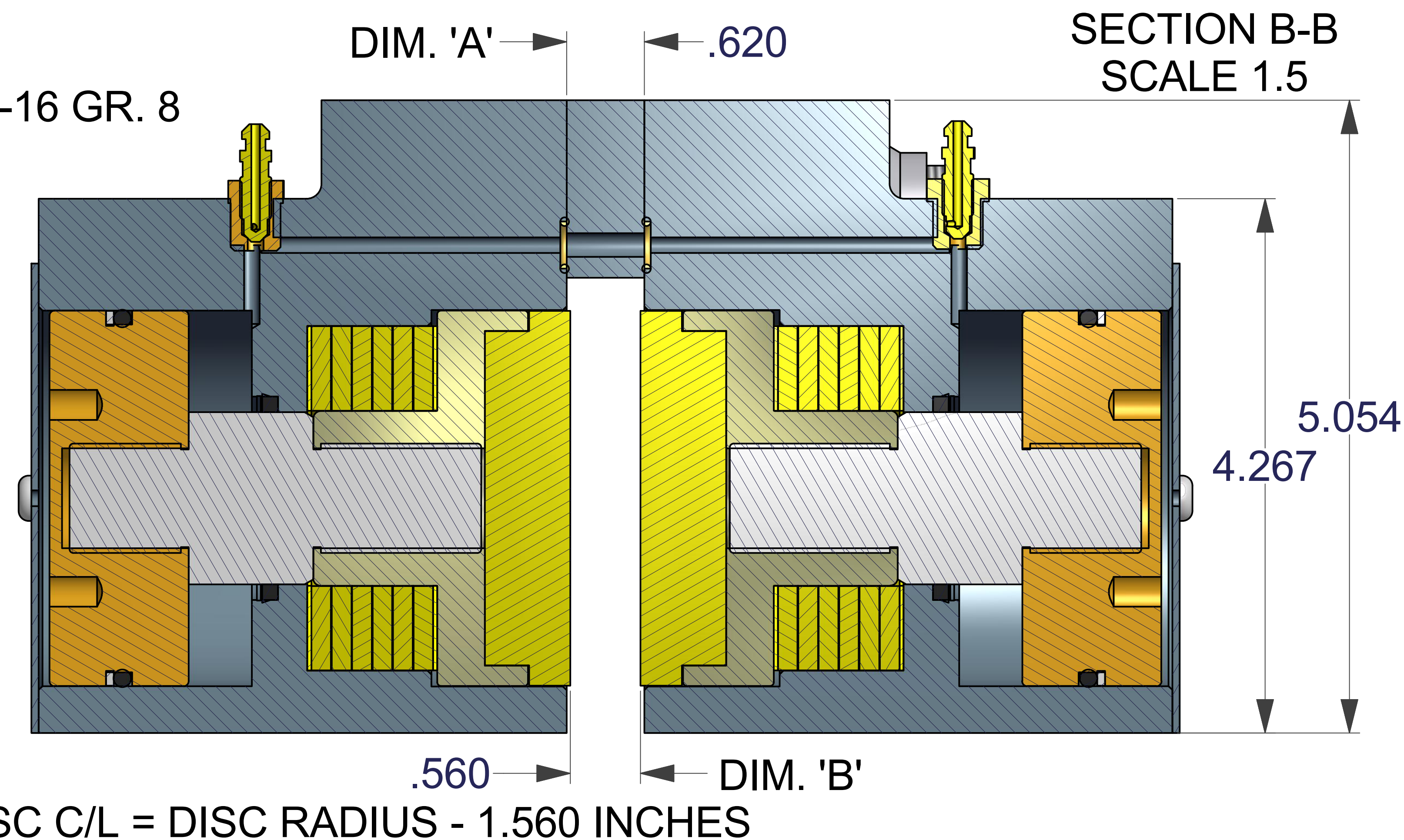
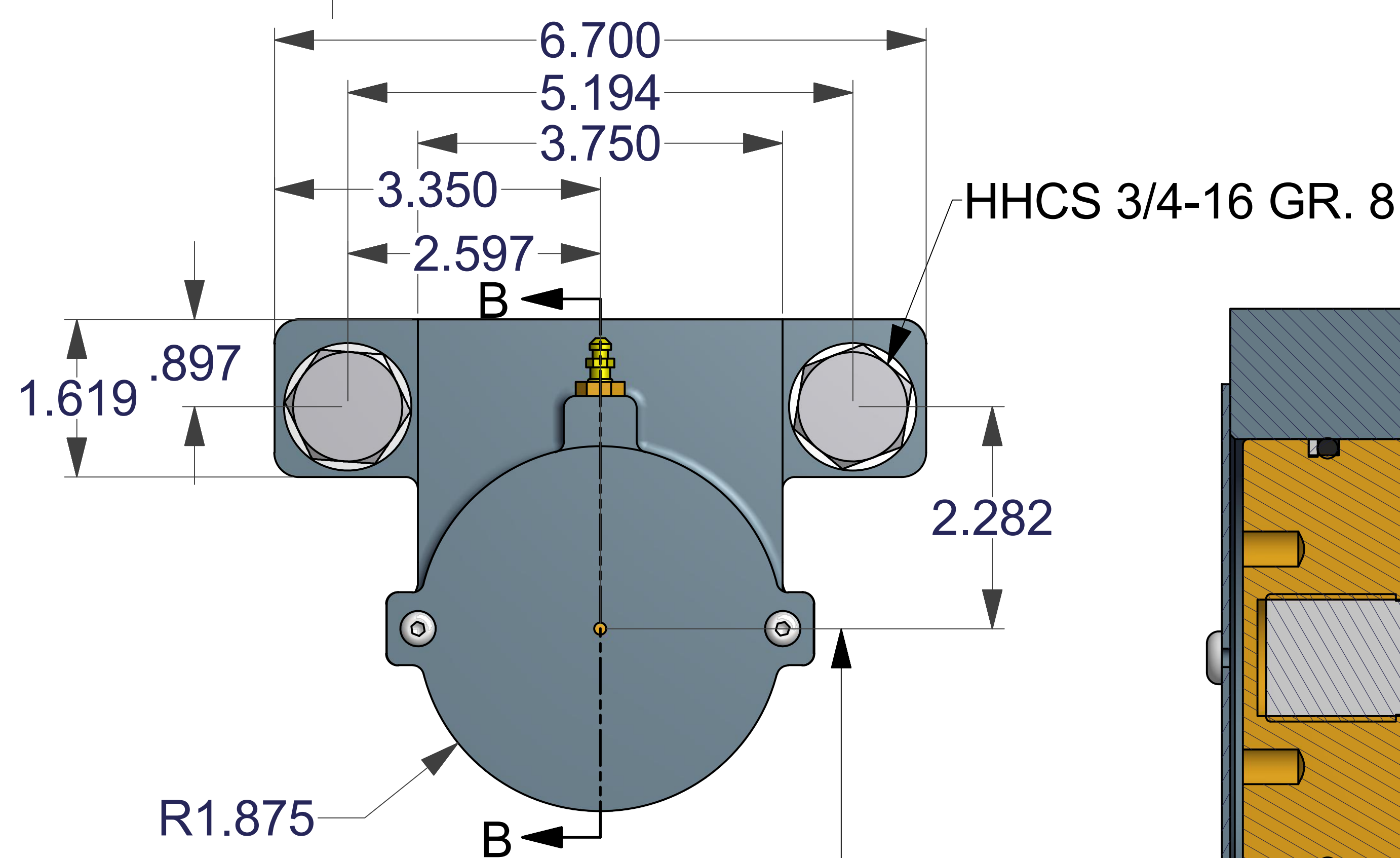
DISC THK.	DIM. 'A'	DIM. 'B'
1/4	.370	.310
3/8	.495	.435
1/2	.620	.560
5/8	.745	.685
3/4	.870	.810
1.0	1.120	1.060
1 1/8	1.245	1.185

TOTAL PAD WEAR, IN.	TANGENTIAL FORCE, LBS.
0	3,059
.06	2,622
.12	2,185
.18	1,748
.25	1,311
.30	874
.36	437
.42	0



- * 6,798 LBS. OF CLAMPING FORCE
- * .45 COFF. OF FRICTION #951023
- * TORQUE, IN. LBS. = DISC RADIUS - 1.56 X TANGENTIAL FORCE
- * MIN. DISC DIA. -- 14.0 INCHES
- * MAX. DISC DIA. -- UNLIMITED
- * 1,500 PSI HYDRAULIC RELEASE PRESSURE
- * 2,000 PSI MAXIMUM HYDRAULIC PRESSURE
- * CAST ALUMINUM CONSTRUCTION
- * HARDCOATED HOUSINGS
- * 14.14 SQ. IN. TOTAL PAD AREA
- * 4.64 CUBIC INCHES TOTAL WEARABLE VOLUME
- * NON ASBESTOS FRICTION MATERIAL
- * BUNA N & POLYURETHANE SEALS
- * INTERNAL CROSS OVER PORTING
- * 75 PSI AIR RELEASE WITH 18:1 AIR/OIL INTENSIFIER P/N 1780-0000

ASSEMBLY NO.	MODEL	DISC. THK.
4500-0001	FS500DB	1/4
4500-0002	FS500DL	3/8
4500-0003	FS500DE	1/2
4500-0020	FS500DJ	5/8
4500-0004	FS500DT	3/4
4500-0005	FS500DO	1.0
4500-0006	FS500DQ	1 1/8



DISC DIA.	BRAKING RADIUS
14	5.44
16	6.44
18	7.44
20	8.44
30	13.44

FIXED MOUNT UNITS CAN BE USED WITH VERTICAL OR HORIZONTAL DISCS
 FS500 SERIES BRAKES ARE FOR EMERGENCY STOP & HOLDING APPLICATIONS ONLY.
 DISC SPACERS ARE AVAILABLE FOR OTHER DISC THICKNESSES.

UNLESS OTHERWISE SPECIFIED: DO NOT SCALE DRAWING REMOVE ALL BURRS TAP DEPTHS FULL THD. DRILL DEPTHS FULL DIA.	THIRD ANGLE PROJECTION	W.C. BRANHAM INC. RIVER FALLS, WI.	
	DESIGNER: WCB DATE: 05/28/10		
	TOLERANCES: 2 PLACE +/- .010 3 PLACE +/- .005	CHECKER: _____ DATE: _____	TITLE: FS500D SERIES FIXED MOUNT
	THREADS: EXTERNAL CLASS 2A INTERNAL CLASS 2B	SCALE: CLASS:	DRAWING NO. _____ REVISION _____

SIZE E