

PART NO.	RATIO	TYPE	A-BORE	B-BORE
4304-0074	3:2 ALL	RH	1.25	1.25
4304-0075		LH	1.25	1.25
4304-0226		RH	1.50	1.25
4304-0227		LH	1.50	1.25
4304-0270		RH	.750	.750
4304-0271		LH	.750	.750
4304-0272		RH	.625	.625
4304-0273		LH	.625	.625
4304-0274		RH	1.00	1.00
4304-0275		LH	1.00	1.00
4304-0276		RH	1.00	.750
4304-0277		LH	1.00	.750
4304-0278		RH	1.00	.625
4304-0279		LH	1.00	.625
4304-0324		RH	1.50	.625
4304-0325		LH	1.50	.625
4304-0326		RH	1.50	1.00
4304-0327		LH	1.50	1.00
4304-0328		RH	1.50	.750
4304-0329		LH	1.50	.750
4304-0330		RH	1.25	.625
4304-0331		LH	1.25	.625
4304-0332		RH	1.25	.750
4304-0333		LH	1.25	.750
4304-0334		RH	1.25	1.00
4304-0335		LH	1.25	1.00

INPUT TORQUE = OUTPUT TORQUE/.78 IN. LBS.

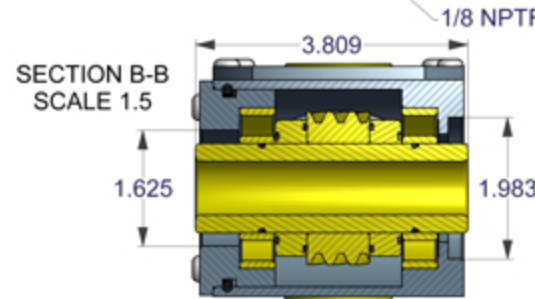
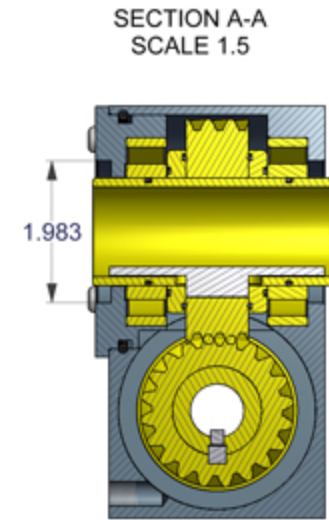
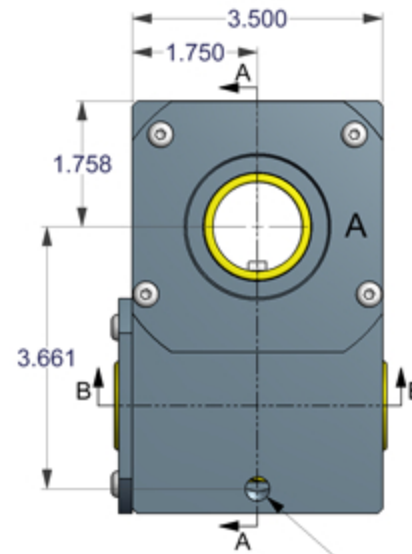
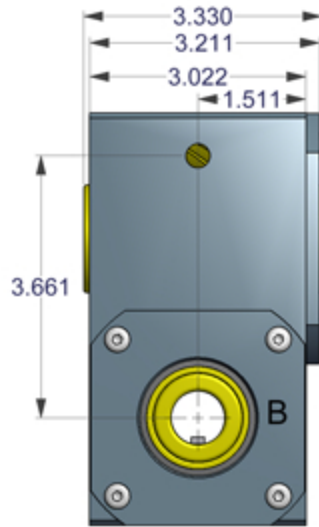
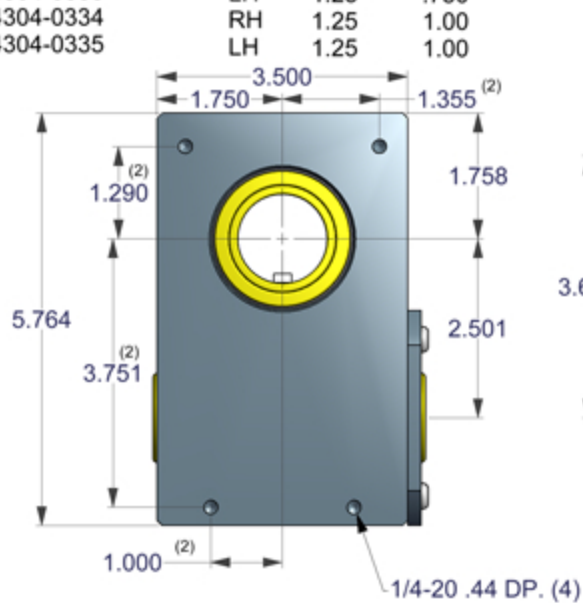
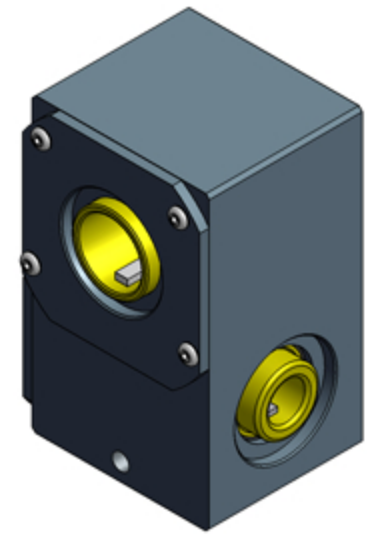
RPM OUTPUT TORQUE, IN. LBS.

33	310
50	268
100	214
200	170
300	149
400	104
500	96
1000	77
1200	59

MAX. HAND TORQUE -- 609 IN. LBS.

KEY SIZES: 5/8 BORE -- 3/16  
 3/4 BORE -- 3/16  
 1.0 BORE -- 1/4  
 1 1/4 BORE -- 1/4  
 1 1/2 BORE -- 3/8

- \* 8620 HEAT TREATED GEARS
- \* (2) R24 DBL. SEALED BEARINGS A-BORE
- \* (2) R20 DBL. SEALED BEARINGS B-BORE
- \* ANODIZED ALUM. HOUSING & CAPS
- \* PREFILLED WITH MAGNALUBE 'G' GRADE 2



1/8 NPTF FILL/BREATHER PORTS (2)

UNLESS OTHERWISE SPECIFIED: DO NOT SCALE DRAWING REMOVE ALL BURRS TAP DEPTHS FULL THO. DRILL DEPTHS FULL DIA.	THIRD ANGLE PROJECTION	W.C. BRANHAM INC. RIVER FALLS, WI.
TOLERANCES: 2 PLACE ±.010 3 PLACE ±.005	DESIGNED BY WCB 11/16/10	DATE
FINISH: EXTERNAL CLASS 2B INTERNAL CLASS 2B	CHECKED BY	SCALE
	CLASS	DRAWING NO.
		REVISION