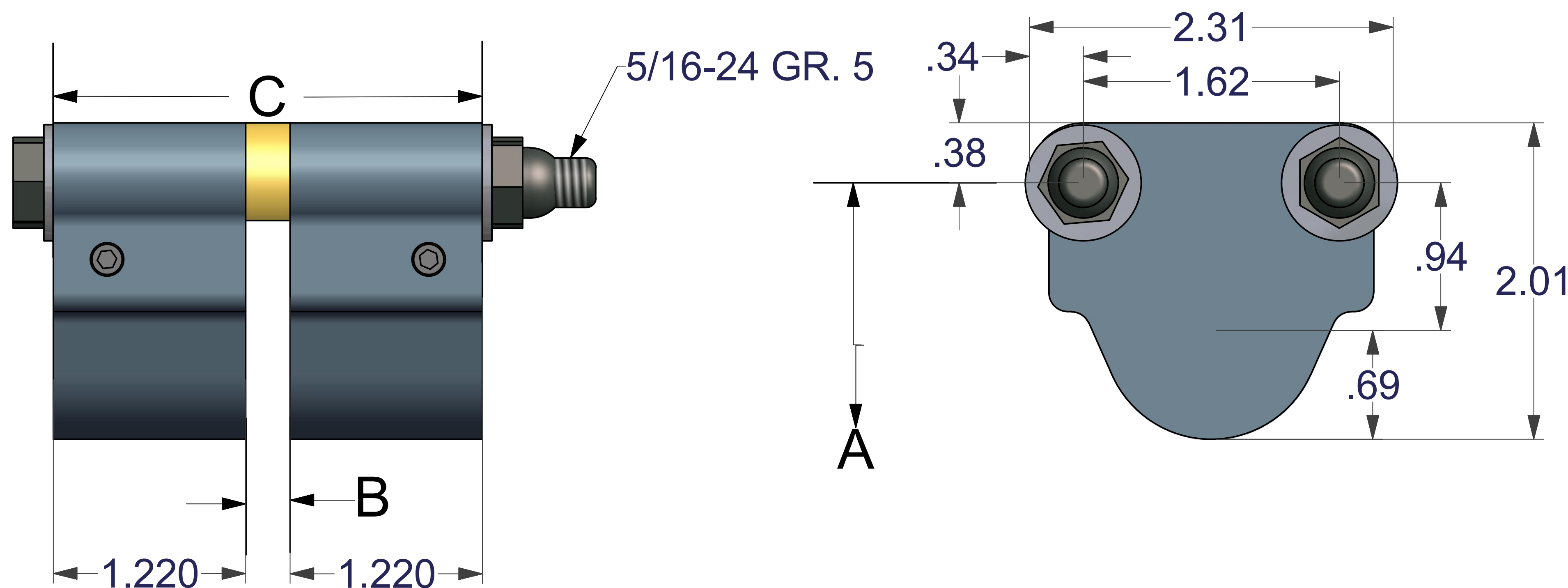


DISC. DIA.--DISC WIDTH--BRAKING RADIUS--'A' DIM. TO DISC C/L SPACER OPTION--'B' DIM.--'C' DIM.

6 5/16	.156	2.53	3.47	A	.28	2.72
8.0	.156	3.38	4.31	A	.28	2.72
10.0	.156	4.38	5.31	A	.28	2.72
12.0	.156	5.38	6.31	A	.28	2.75
16.0	.250	7.38	8.31	B	.38	2.82
	.375			L	.50	2.94
	.500			E	.63	3.07



MODEL	ASSY. NO.	DISC THK.
P38DA	4004-0706	.156
P38DB	4004-0707	.250
P38DL	4004-0723	.375
P38DE	4004-0724	.500

- * 100 PSI MAX. PRESSURE
- * (2) 1/8-27 NPTF PORTS, INTERNAL CROSSOVER
- * EXTRUDED ALUM. HSGS. HARDCOATED
- * 2.0 SQ. IN. TOTAL PAD AREA
- * 1.0 SQ. IN. PISTON AREA
- * UNLIMITED DISC DIA.
- * ELECTRO NICKEL W/S.S. FASTENERS OPTIONAL

TORQUE RATINGS @ 100 PSI (IN. LBS.)
DISC DIA. DYNAMIC STATIC

6 5/16	177	89
8.0	236	118
10.0	306	153
12.0	377	188
16.0	517	258

UNLESS OTHERWISE SPECIFIED DO NOT SCALE DRAWING REMOVE ALL BURRS TAP DEPTHS FULL THD. DRILL DEPTHS FULL DIA.	THIRD ANGLE PROJECTION 	WC BRANHAM INC. RIVER FALLS, WI
TOLERANCES 2 PLACE +/- .010 3 PLACE +/- .005	DESIGNER WCB CHECKER	TITLE P38D SERIES CALIPER BRAKES
THREADS EXTERNAL CLASS 2A INTERNAL CLASS 2B	DATE 03/26/06 DATE	DRAWING NO.
	SCALE CLASS	REVISION

SIZE
D