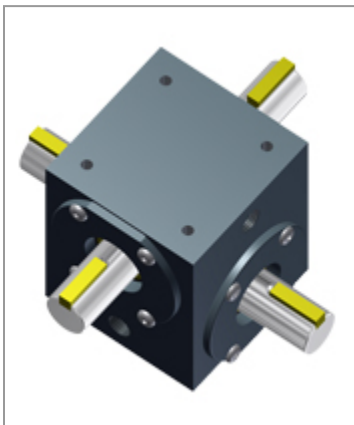


Right Angle Gearboxes

W. C. Branham was industry first - with right angle hollow bore helical gearboxes that package an all ball bearing configuration in a leak-proof, sealed gearcase and pre-lubricated design. The immediate benefits were achieving higher thrust and radial loads, lower operating temperature for greater efficiency, no leakage, and longer service life.

Each gearbox has two helical gears that mesh at 90° to rotate power. They are bi-directional and slide axially along keyed shafts for easy installation. They are also vast improvements over "float or "slide" right angle models made by T-O-M Brand Hamel, MN. Shipped pre-lubricated and installation ready.

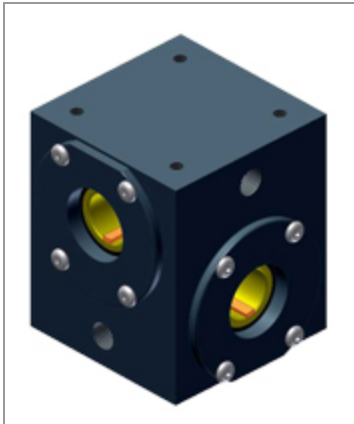
W.C. Branham Gearboxes and Helical Gears are Made in Wisconsin, U.S.A.



Include-A-Shaft Series 10 Mini

Introducing the Include-A-Shaft™ Series 10 Mini Right Angle Gear Drives. These 1:1 ratio drives Include integral gears and shafts combinations. Available in your choice of 2-Way, 3-Way and 4-Way configurations and shaft diameters of 1/2 inch and 5/8 inch.

▶ [Read More](#)

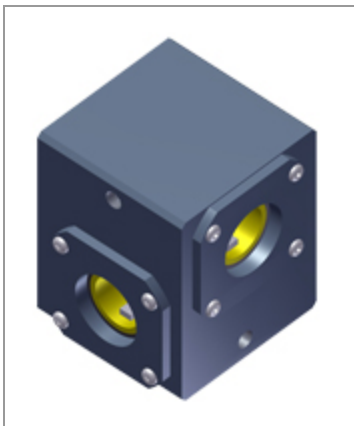


Insert-A-Shaft Series 10 Mini

Insert-A-Shaft® Series 10 Mini Right Angle Gearboxes are compact with 1 inch center line bore dimension. 1:1 ratio. Insert-A-Shafts use the ball bearing bores for .500 and .625 inch shaft diameter combinations. Choose from standard flush mounting or optional foot mount (FM) and right or left hand rotation.

- See metric models [here](#).

▶ [Read More](#)



Insert-A-Shaft Series 15

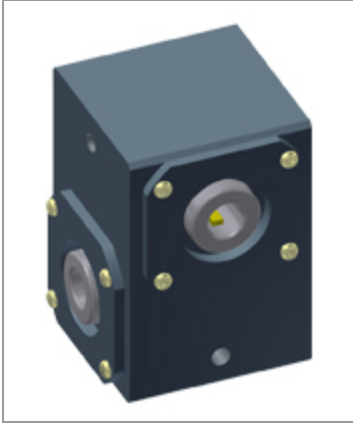
Introducing the new Mid Size Insert-A-Shaft® Series 15 Right Angle Gearboxes. They are available in 1:1 ratio. Choose from bore diameters of 5/8", 3/4" and 1" or combination thereof.

How is the Series 15 different than our other gearboxes?

The Series 15 is 4.0 inches tall and has a 1.5 inch bore center line distance. It fits nicely between our Mini models that are 2.87 inches tall with 1.0 inch bore center line and our Standard models that are 5.76 inches tall with 2.5 inch bore center line. The Series 15 is rated up to 1200 RPM and 457 in. lb. torque. Insert-A-Shafts integrate hollow bore shafts for the widest possible combination of bore diameters.

Continuous Recirculating Lubricant, CRL™ Gearboxes for high cycle and continuous duty applications also available. See CRL 15 Series [here](#).

▶ [Read More](#)



Insert-A-Shaft Series 20

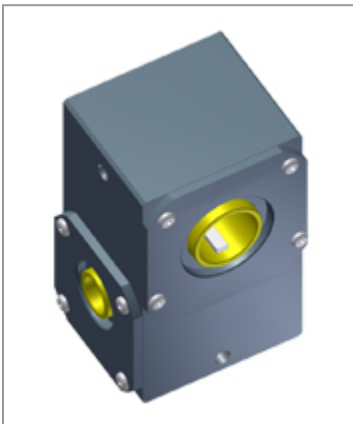
Introducing the Insert-A-Shaft® Series 20 Right Angle Gearboxes. They are available in 1:1 ratio. Choose from bore diameters of 5/8", 3/4", 1" and 1 1/4" or combination thereof.

How is the Series 20 different than our other gearboxes?

The Series 20 is our 20 tooth gearbox which is 4.75 inches tall and has a 2.0 inch bore center line distance. The smaller Series 15 is 4.0 inches tall and has a 1.5 inch bore center line distance. The even smaller Series 10 Mini is 2.87 inches tall with 1.0 inch bore center line. Our Series 25 gearbox models are 5.76 inches tall with 2.5 inch bore center line. The Series 20 is rated up to 1200 RPM and 402 in. lbs. torque. Insert-A-Shafts integrate hollow bore shafts for the widest possible combination of bore diameters.

Continuous Recirculating Lubricant, CRL™ Gearboxes for high cycle and continuous duty applications also available. See CRL 20 Series [here](#).

▶ [Read More](#)



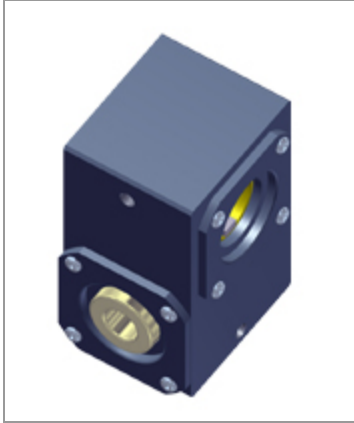
Insert-A-Shaft Series 22

Insert-A-Shaft® Series 22 Right Angle Gearboxes are available in 2:1 ratio.

Available bore diameters are .625, .750, 1.25 and 1.50 inches - The widest possible combination of bore diameters on 2.25 inch shaft centers. Choose from standard flush mounting or base mount (BM) as well as right or left hand rotation.

- See metric models [here](#).

▶ [Read More](#)



Insert-A-Shaft Series 25

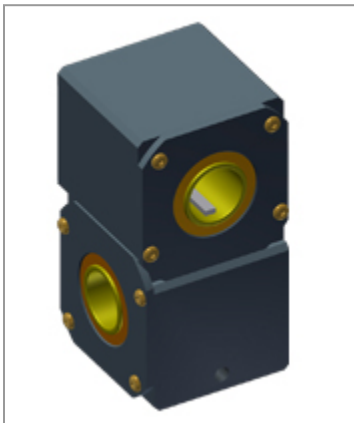
Insert-A-Shaft® Series 25 Right Angle Gearboxes are available in ratios 1:1 and 3:2 ratios.

Available bore diameters are .625, .750, 1.0, 1.25 and 1.50 inches. - The widest possible combination of bore diameters on 2.5 inch bore centers. Choose from standard flush mounting or base mount (BM) as well as right or left hand rotation.

Continuous Recirculating Lubricant, CRL™ Gearboxes for high cycle and continuous duty applications also available. See CRL 25 Series [here](#).

- See metric models [here](#).

► [Read More](#)



Insert-A-Shaft CRL Series 30



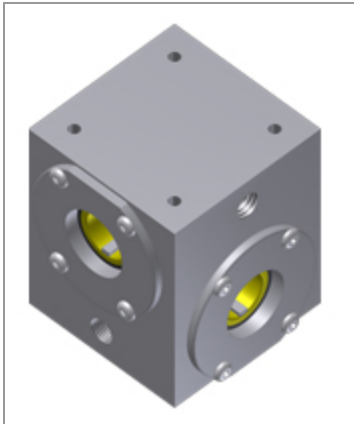
Introducing the CRL 30 Series 1:1 ratio Right Angle Gearboxes. Continuous Recirculating Lubricant (CRL™) Gearboxes are for high cycle and continuous duty applications. The CRL 30 gearboxes are configured around the Insert-A-Shaft® design of integrated hollow bore shafting for .625, .750, 1.0 and 1.25 inch diameter combinations. The sealed, leak-proof gearcase acts as its own lube reservoir maintaining positive lubrication. Choose right or left hand rotation.

How is the Series 30 different than our other gearboxes?

It is our largest helical gearbox. The Series 30 is a 30 tooth gearbox which is 6.6 inches tall and 3.5 inches wide. It has a 3.0 inch bore center line distance compared with Series 25 gearboxes are 5.76 inches tall with 2.5 inch bore center line. The Series 20 is 4.75 inches tall and has a 2.0 inch bore center line distance. The smaller Series 15 is 4.0 inches tall and has a 1.5 inch bore center line distance. The even smaller Series 10 Mini is 2.87 inches tall with 1.0 inch bore center line.

- See metric models [here](#).

► [Read More](#)



Stainless Steel Gearboxes



You'll know when your application demands a stainless steel right angle gearbox and it is our goal to offer you the widest selection available.

Our stainless steel, corrosion resistant gearboxes are designed to be very rugged and used in wet, hostile and sterile operating environments.

CRL Base Mount Stainless Steel Gearboxes include Continuous Recirculating Lubricant (CRL™) for high cycle and continuous duty applications.

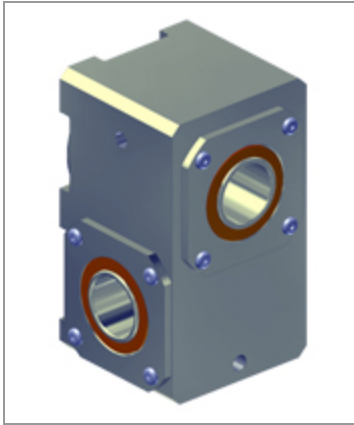
CRL stainless steel gearboxes are configured around the Insert-A-Shaft® design of integrated hollow bore shafting for .625, .750, 1.0 and 1.25 inch diameter combinations. The sealed, leak-proof gearcase acts as its own lube reservoir maintaining positive lubrication. Choose right or left hand rotation.

CRL15 Stainless Steel Gearboxes also have Continuous Recirculating Lubricant for high cycle and continuous duty applications. They are mid-range models with a 1.50 inch bore center distance. Choose from .625 and .750 inch bore combinations.

Insert-A-Shaft® Series 10 Mini Stainless Steel Gearboxes are compact with just a 1.0 inch bore center distance. Choose from .500 and .625 inch diameter bore combinations.

Insert-A-Shaft® Series 15 Stainless Steel Gearboxes are mid-range models with a 1.50 inch bore center distance and 1.00 inch bores.

▶ [Read More](#)



CRL Washdown Gearboxes

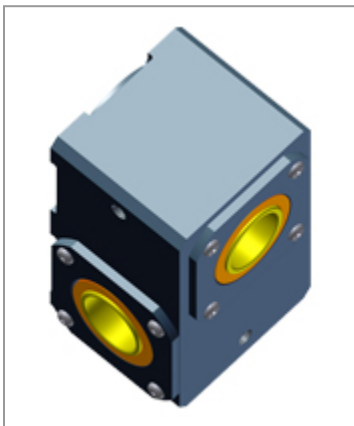
W.C. Branham Washdown Right Angle Gearboxes are Corrosion Resistant and designed to be very rugged in wet, hostile, operating environments. They are also suitable for food processing machinery with optional food grade lubricant.

Continuous Duty and Washdown gearboxes include Continuous Recirculating Lubricant (CRL™) for high cycle and continuous duty applications. The sealed, leak-proof gearcase acts as its own lube reservoir maintaining positive lubrication. Pre-Lubricated with Lubriplate 1500.

CRL Washdown Gearboxes are 1:1 Ratio and have a 2.5 inch bore center distance. Choose right or left hand rotation in either Standard or Base Mount configuration.

W.C. Branham welcomes the opportunity to discuss any custom gearbox requirement that you may have.

▶ [Read More](#)



Glide Right T-O-M S-R Crossover

Introducing Glide Right™ Right Angle Gearboxes, from W.C. Branham. Glide Rights are 100% mounting and bore interchangeable with the T-O-M Brand S-R.

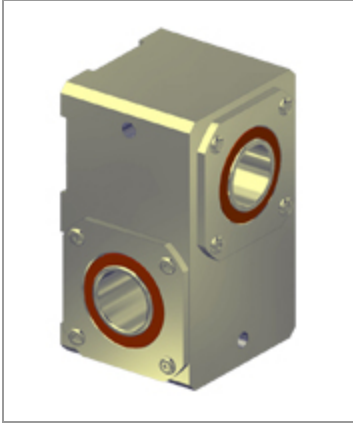
Do you have T-O-M Brand S-R right angle gearboxes?
Have a need for an alternate supply source?
Are performance issues causing concern?
Is it time to try something new?

If you answered "yes" to one or more of these questions, request a no obligation price quotation from us or contact W.C. Branham to discuss your application.

Or, simply enter the T-O-M 8-digit part number in the Search field on our Web Site to go directly to the W.C. Branham interchange gearbox. Ex. (0230-0400).

- See metric models [here](#).

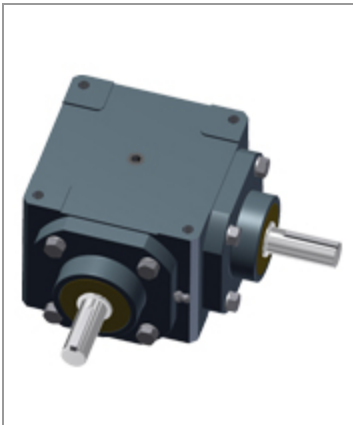
▶ [Read More](#)



Glide Right T-O-M S-R Wash Down

Introducing Glide Right™ Right Angle Gearboxes, from W.C. Branham. Glide Rights are 100% mounting and bore interchangeable with the T-O-M Brand S-R corrosion resistant or wash down models.

▶ [Read More](#)



Branham Spiral Bevels

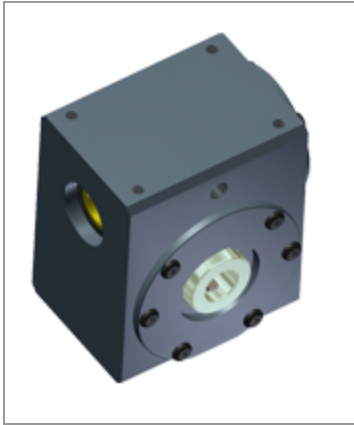


W.C. Branham expands the Spiral Bevel 1:1 Gearbox product line with 4.125 in. wide 2- and 3-Way #4303 models. Select from .750 and 1.00 inch shafts as well as 20 and 25mm shafts with metric mounting. Stainless steel keys, fasteners and shafting.

Our #4304 models are 100% mounting interchangeable with like models from companies such as Zero-Max and Mitropak. Our mattress industry series gearboxes are directly interchangeable with Cyclo-Index and Gribetz Intl.

All models are constructed with double sealed, heavy duty ball bearings and case hardened gears.

▶ [Read More](#)



Branham Worm Series 4



Three model configurations of W.C. Branham Series 4 Right Angle Worm Gearboxes include: Hollow Bore, Single Shaft; Hollow Bores Only; and Hollow Bore, Double Shafts - all in 10:1 and 20:1 ratios. Select models with .625 inch diameter shaft x either .625, .750, 1.00 inch diameter hollow bores. Each model is designed around a 1.333 inch center distance.

All models are constructed with double sealed, heavy duty ball bearings and case hardened worm gears.

▶ [Read More](#)

Copyright © 2012 by W.C. Branham, Inc. All rights reserved.
Phone: (941) 896-8000 | **Fax:** (941) 896-8002