

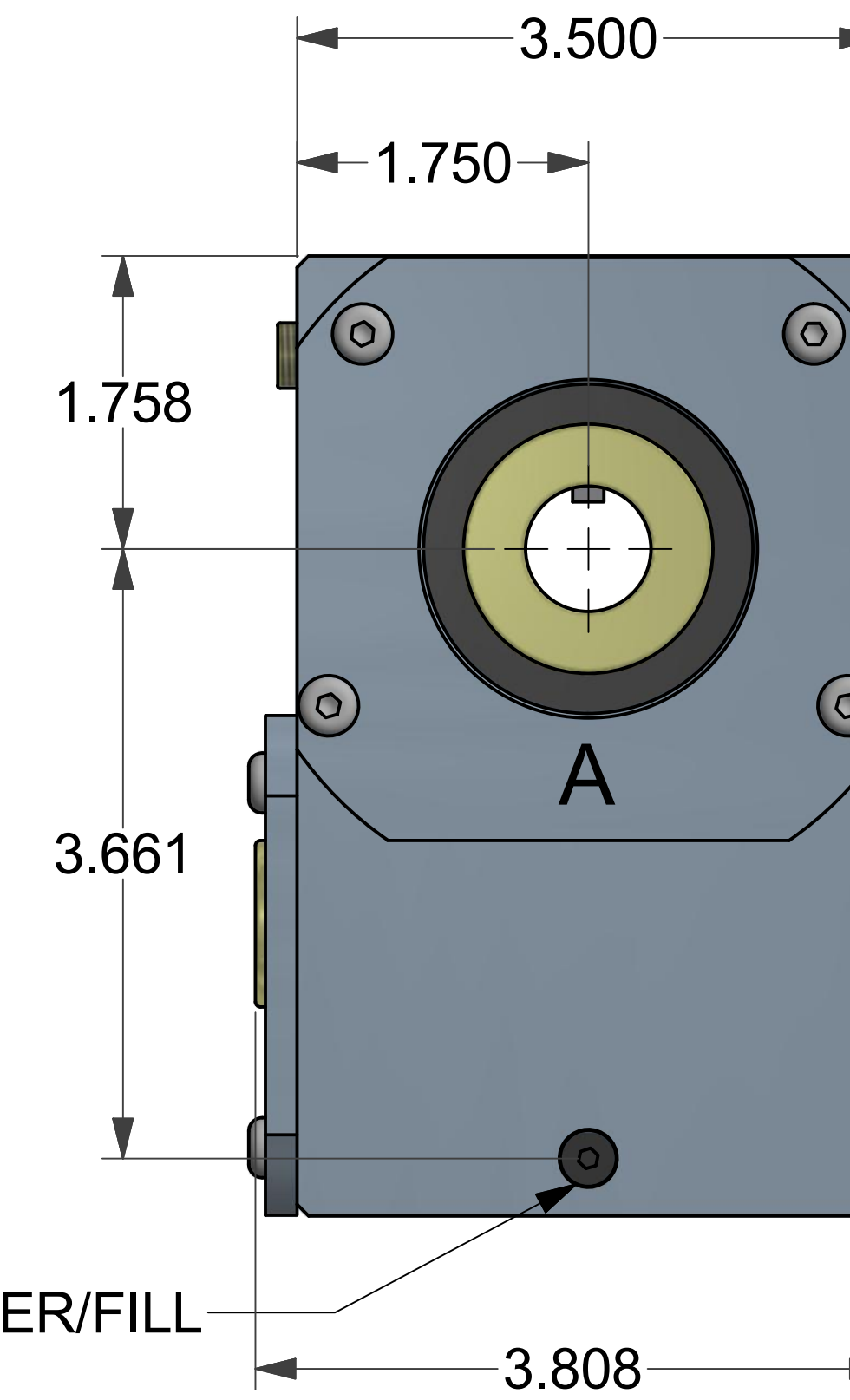
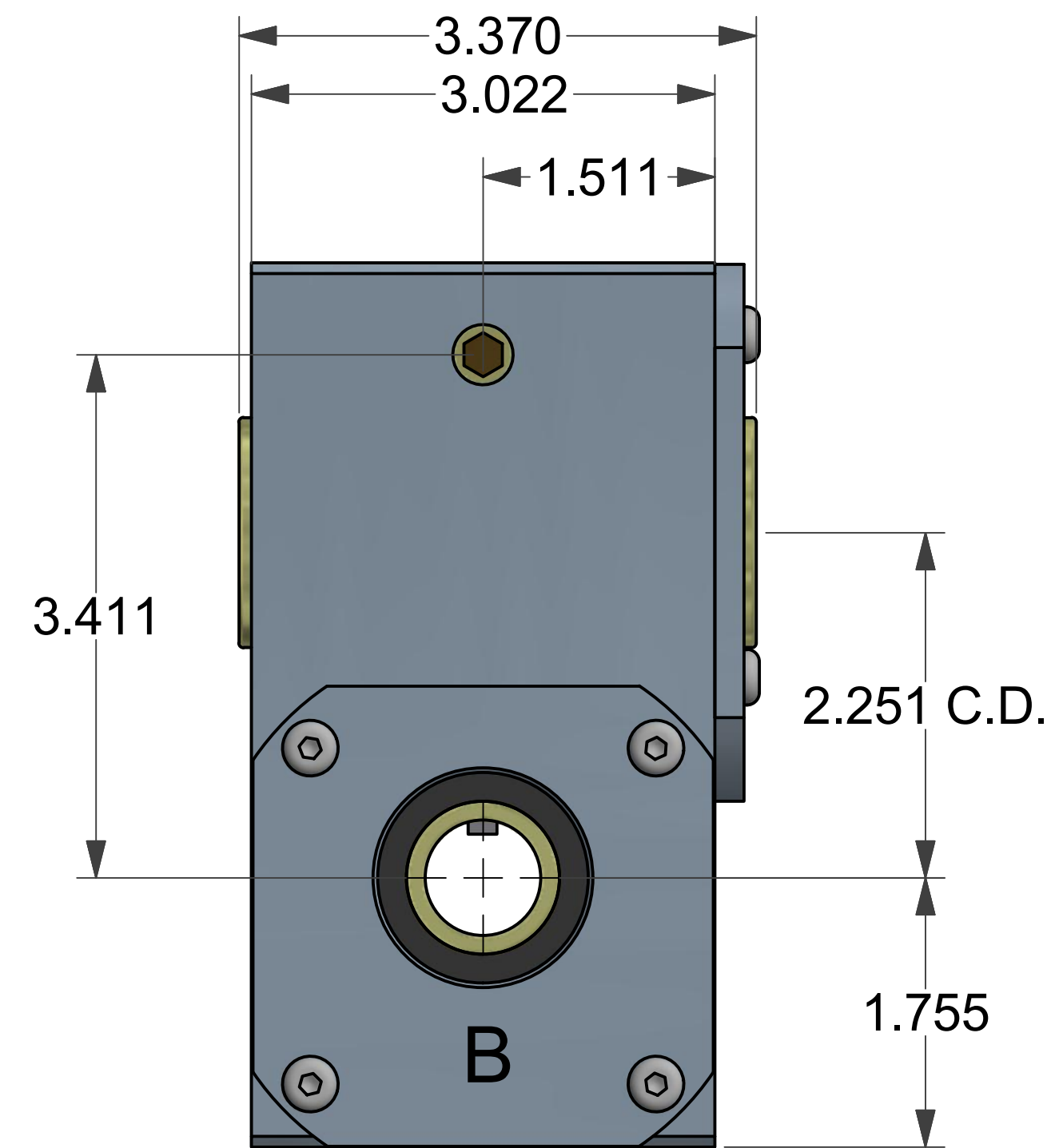
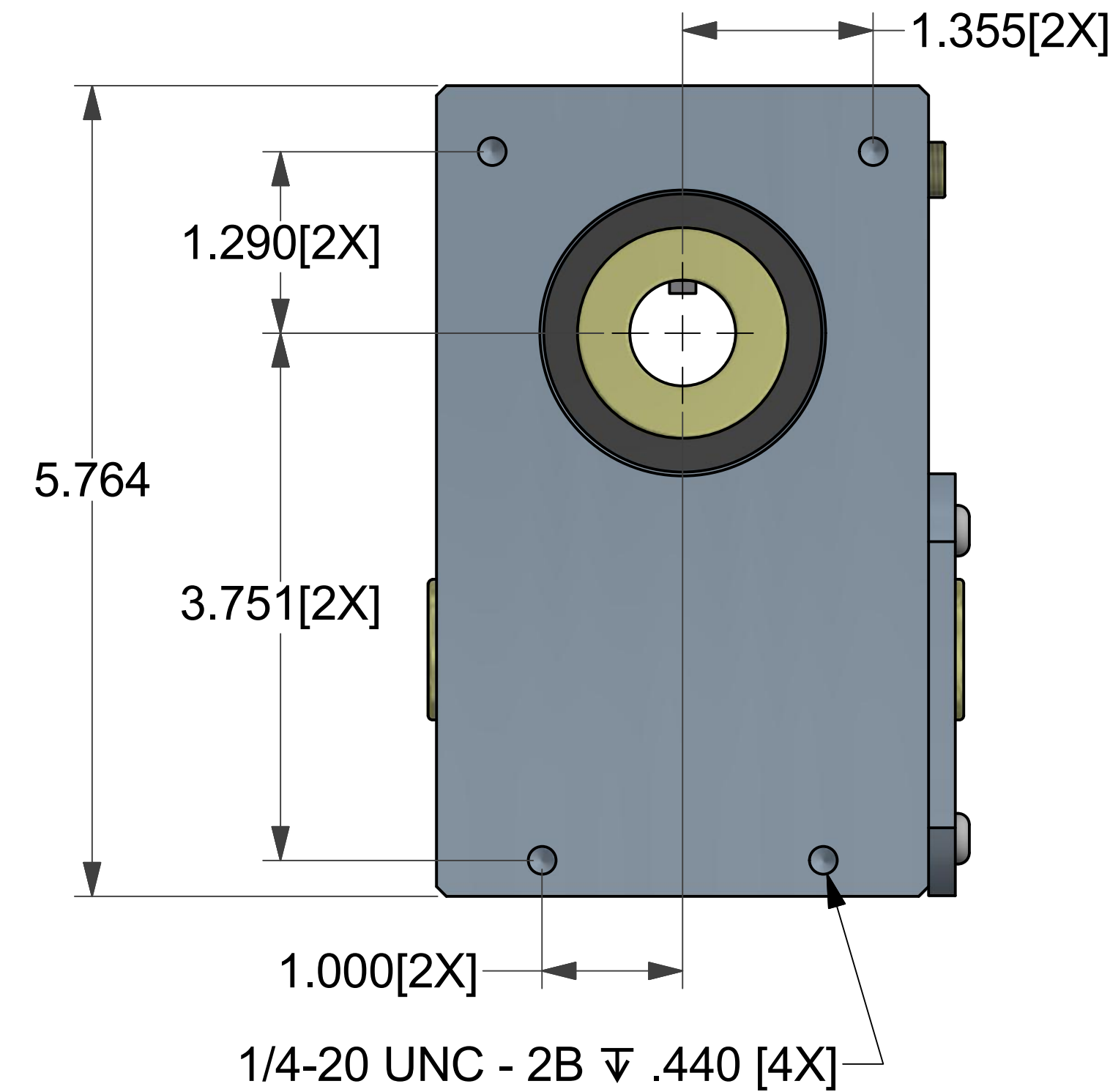
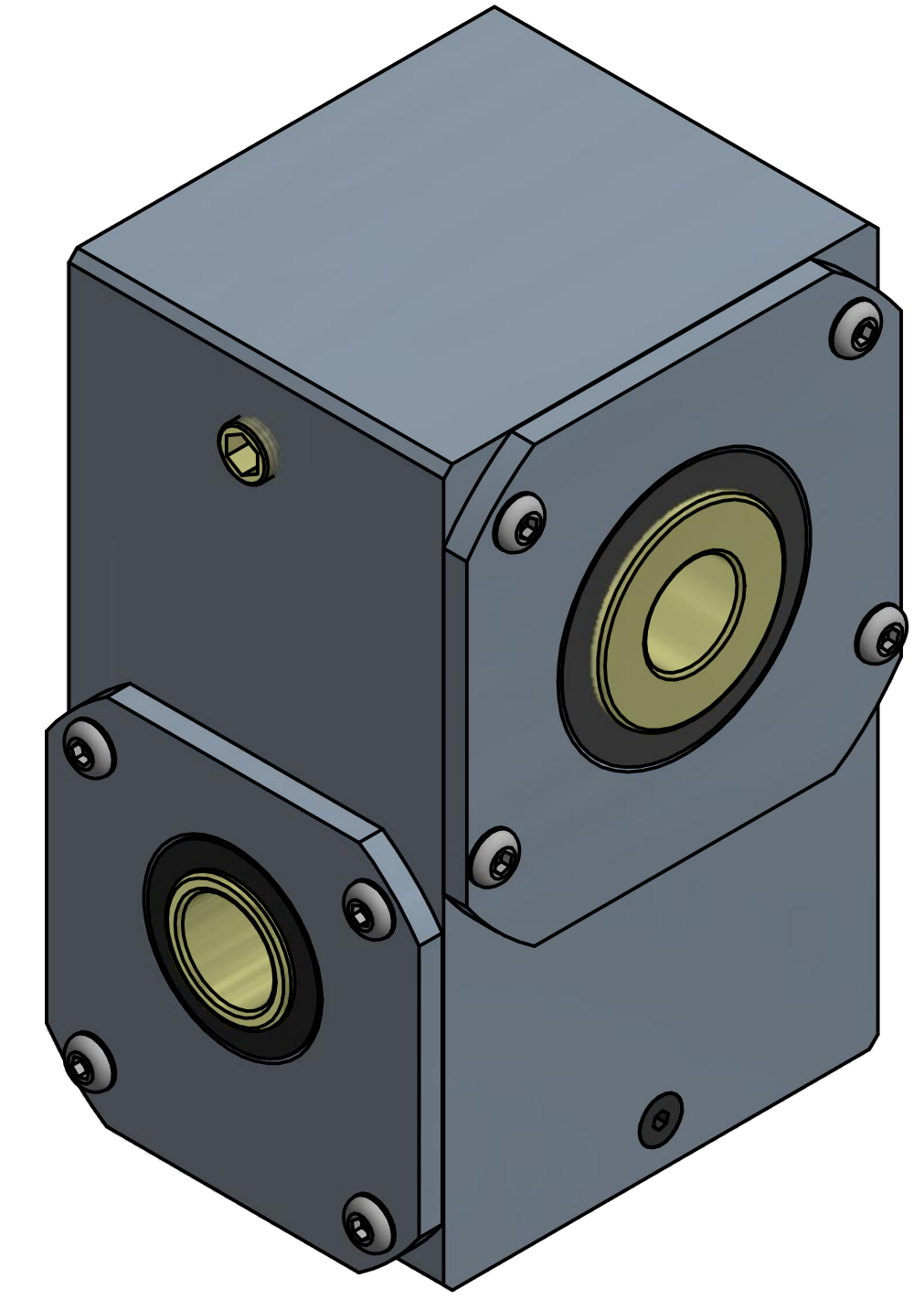
PART NO.	RATIO	TYPE	A-BORE	B-BORE
4305-0150	2:1 ALL	RH	.625	.625
4305-0151		LH	.625	.625
4305-0152		RH	.75	.625
4305-0153		LH	.75	.625
4305-0154		RH	.625	.75
4305-0155		LH	.625	.75
4305-0156		RH	.75	.75
4305-0157		LH	.75	.75
4305-0158		RH	1.00	.75
4305-0159		LH	1.00	.75
4305-0160		RH	1.00	.625
4305-0161		LH	1.00	.625
4305-0162		RH	1.25	.75
4305-0163		LH	1.25	.75
4305-0164		RH	1.25	.625
4305-0165		LH	1.25	.625

INPUT TORQUE = OUTPUT TORQUE/1.24 IN. LBS.

RPM OUTPUT TORQUE, IN. LBS.

33	369
50	320
100	256
200	203
300	176
400	126
500	115
1000	92
1200	70

MAX. HAND TORQUE = 609 IN. LBS.




1/8 NPT BREATHER/FILL  
LUBE PORTS (2)

- \* 8620 HEAT TREATED GEARS
- \* (2) R24 DBL. SEALED BEARINGS A-BORE
- \* (2) R16 DBL. SEALED BEARINGS B-BORE
- \* ANODIZED ALUM. HOUSING & CAPS
- \* (4) DOUBLE LIP, SPRING LOADED SHAFT SEALS

\* PRELUBED WITH LUBRIPLATE 1500

KEY SIZES:  
5/8 BORE -- 3/16  
3/4 BORE -- 3/16  
1.0 BORE -- 1/4  
1 1/4 BORE -- 1/4  
1 1/2 BORE -- 3/8

 <b>WC BRANHAM®</b> <small>SOLUTIONS IN MOTION</small> <small>398 TROY STREET • RIVER FALLS, WISCONSIN 54022 U.S.A.</small> <small>© 2015 W.C. Branham Inc. All Rights Reserved.</small>		DESIGNER	DATE
<small>UNLESS OTHERWISE SPECIFIED: DO NOT SCALE DRAWING REMOVE ALL BURRS TAP DEPTHS FULL THRD DRILL DEPTHS FULL DIA.</small>	THIRD ANGLE PROJECTION	CR	11/18/2010
	<small>TOLERANCES .XX = ± .010 .XXX = ± .005 .XXXX = ± .0005</small>	MATERIAL	REVISOR
<small>THREADS EXTERNAL CLASS 2A INTERNAL CLASS 2B</small>	WEIGHT 4.819 lbmass	TITLE	
SCALE 1:1	SHEET 1 of 1	CRL22 SERIES 2:1 RATIO	
SIZE D	DRAWING NO.	REV	