

Brake Discs & Hubs

For industrial, off-highway stopping or parking needs - web tensioning too!



FEATURES

- 1010 Steel ▪ Flat to within .010 inches ▪ Blanchard ground to an 80 RMS micro-inch finish
- Stress-relieved for even braking ▪ Hubs machined from solid, cold rolled steel ▪ Rated up to 300° F.
- Use with W.C. Branham Inc. 38/47/200 series caliper disc brakes and other manufacturers' ▪ 5 disc dia. std ▪ Most available from stock ▪ OEM special orders welcome

Blank Discs

Machined Discs

Fixed Disc/Hub Assemblies

W.C. BRANHAM INC.

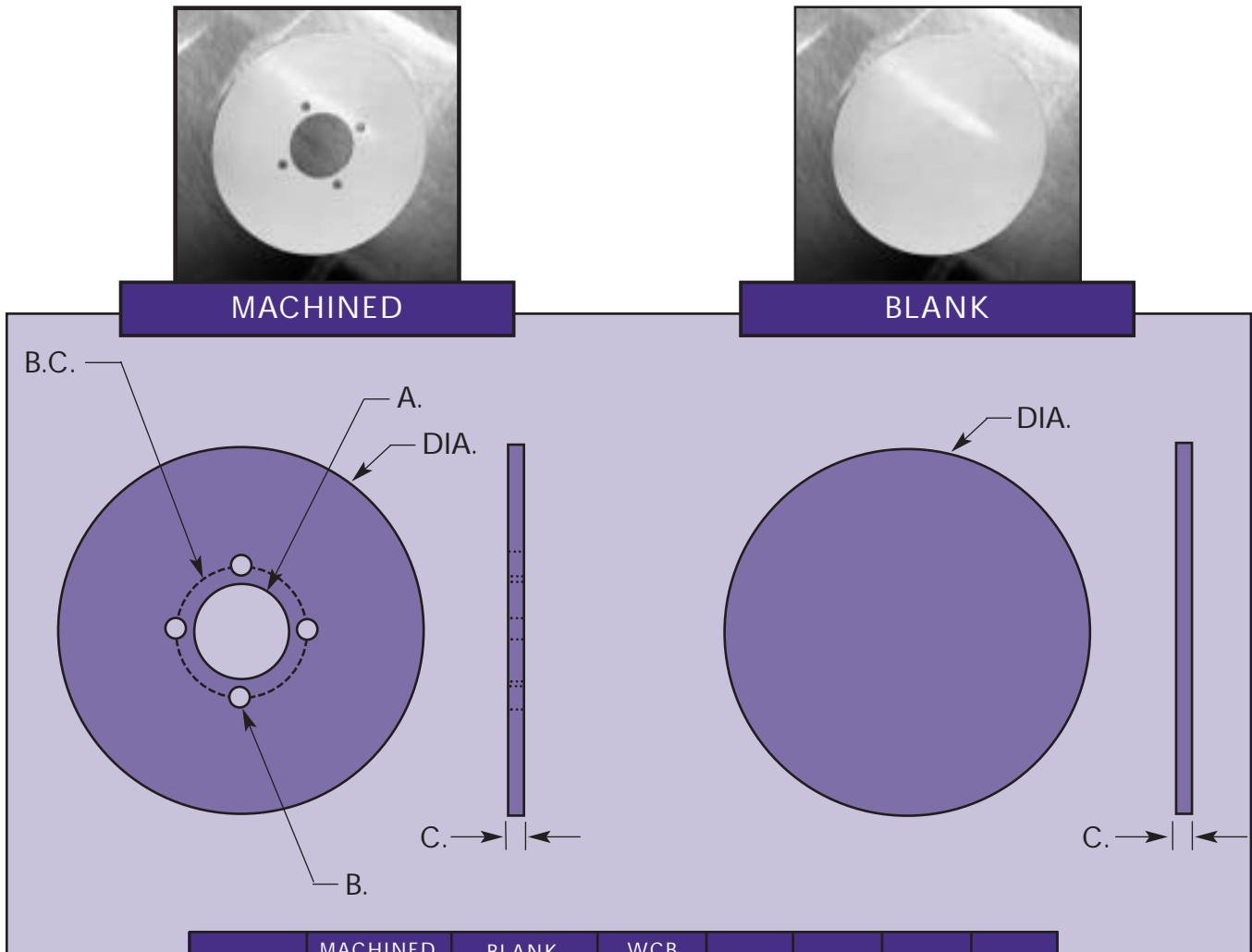
S O L U T I O N S I N M O T I O N

398 TROY STREET ▪ RIVER FALLS, WI 54022

TELE +1.715.426.2000 ▪ FAX +1.715.426.1400

www.wcbranhaminc.com ▪ brakes@wcbranhaminc.com

Use with W.C. Branham Inc. 38/47/200 series caliper disc brakes and brakes made by other manufacturers. Most in stock. Specials welcome.



| DISC DIA. | MACHINED DISC P/N | BLANK DISC P/N | WCB SPACER OPTION | "A" | "B" | "C" | "B.C." |
|-----------|-------------------|----------------|-------------------|-------|------|------|--------|
| 6 5/16 | 4801-1206 | 4801-1200 | A | 1.376 | .265 | .156 | 1.812 |
| 8 | 4802-1208 | 4802-1200 | A | 2.375 | .328 | .156 | 3.125 |
| 10 | 4803-1210 | 4803-1200 | A | 2.375 | .328 | .156 | 3.125 |
| 12 | 4804-1212 | 4804-1200 | A | 3.750 | .391 | .156 | 4.500 |
| 16 | 4805-1216 | 4805-1200 | B | 3.750 | .391 | .250 | 4.500 |

- Pilot Hole "A" tolerances + .010/- .000
- Bolt Hole "B" tolerances +/- .010

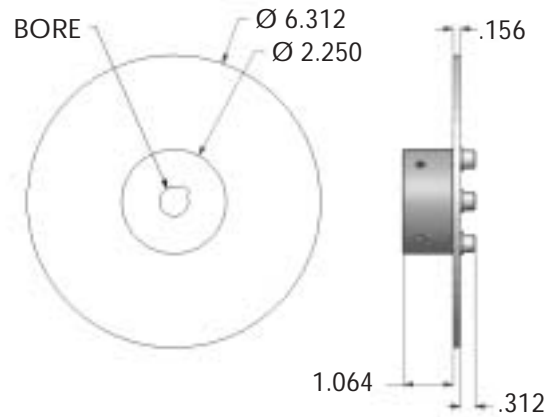
For best service life do not exceed disc temperature of 300° F



S O L U T I O N S I N M O T I O N

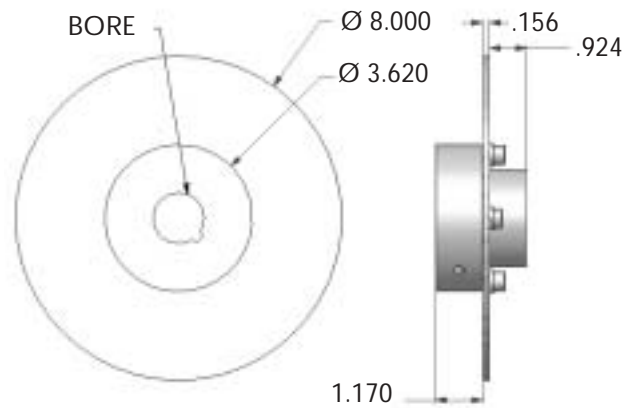
6 5/16" DISC DIAMETER

| MODEL NO. | BORE | KEY SIZE | SPACER ¹ |
|-----------|------|-------------|---------------------|
| 4801-0008 | 1/2 | 1/8 x 1/8 | A |
| 4801-0010 | 5/8 | 3/16 x 3/16 | A |
| 4801-0012 | 3/4 | 3/16 x 3/16 | A |
| 4801-0014 | 7/8 | 3/16 x 3/16 | A |
| 4801-0016 | 1 | 1/4 x 1/4 | A |



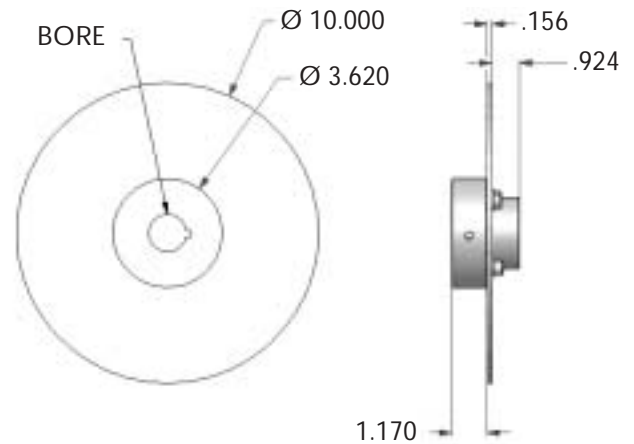
8" DISC DIAMETER

| MODEL NO. | BORE | KEY SIZE | SPACER ¹ |
|-----------|-------|-------------|---------------------|
| 4802-0016 | 1 | 1/4 x 1/4 | A |
| 4802-0018 | 1-1/8 | 1/4 x 1/4 | A |
| 4802-0020 | 1-1/4 | 1/4 x 1/4 | A |
| 4802-0022 | 1-3/8 | 5/16 x 5/16 | A |
| 4802-0024 | 1-1/2 | 3/8 x 3/8 | A |
| 4802-0026 | 1-5/8 | 3/8 x 3/8 | A |
| 4802-0028 | 1-3/4 | 3/8 x 3/8 | A |



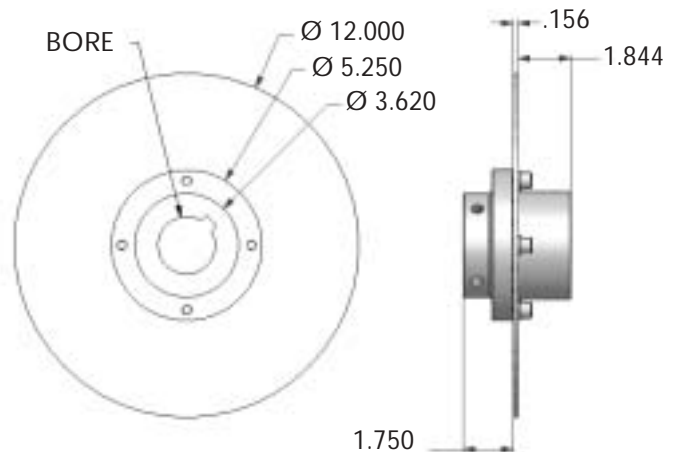
10" DISC DIAMETER

| MODEL NO. | BORE | KEY SIZE | SPACER ¹ |
|-----------|-------|-------------|---------------------|
| 4803-0014 | 7/8 | 1/4 x 1/4 | A |
| 4803-0016 | 1 | 1/4 x 1/4 | A |
| 4803-0018 | 1-1/8 | 1/4 x 1/4 | A |
| 4803-0020 | 1-1/4 | 1/4 x 1/4 | A |
| 4803-0022 | 1-3/8 | 5/16 x 5/16 | A |
| 4803-0024 | 1-1/2 | 3/8 x 3/8 | A |
| 4803-0026 | 1-5/8 | 3/8 x 3/8 | A |
| 4803-0028 | 1-3/4 | 3/8 x 3/8 | A |



12" DISC DIAMETER

| MODEL NO. | BORE | KEY SIZE | SPACER ¹ |
|-----------|-------|-----------|---------------------|
| 4804-0024 | 1-1/2 | 3/8 x 3/8 | A |
| 4804-0028 | 1-3/4 | 3/8 x 3/8 | A |
| 4804-0032 | 2 | 1/2 x 1/2 | A |
| 4804-0036 | 2-1/4 | 1/2 x 1/2 | A |
| 4804-0040 | 2-1/2 | 5/8 x 5/8 | A |

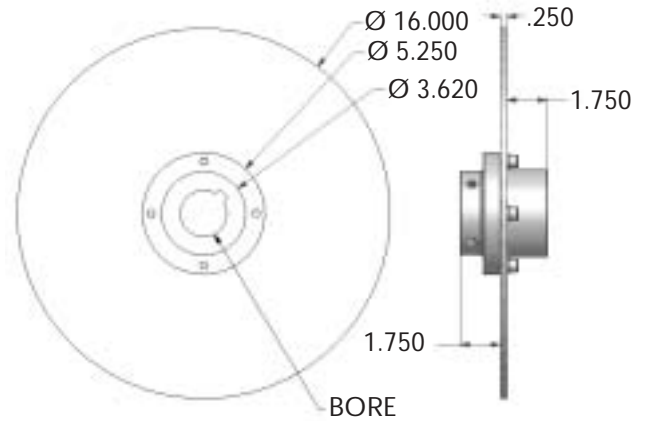


¹Spacer option for W.C. Branham Inc. caliper disc brakes.
Ex. Model P47SAF

16" DISC DIAMETER

| MODEL NO. | BORE | KEY SIZE | SPACER ¹ |
|-----------|-------|-----------|---------------------|
| 4805-0024 | 1-1/2 | 3/8 x 3/8 | B |
| 4805-0028 | 1-3/4 | 3/8 x 3/8 | B |
| 4805-0032 | 2 | 1/2 x 1/2 | B |
| 4805-0036 | 2-1/4 | 1/2 x 1/2 | B |
| 4804-0040 | 2-1/2 | 5/8 x 5/8 | B |

¹Spacer option for W.C. Branham Inc. caliper disc brakes.
Ex. Model P47SBF



Hubs Only

6 5/16" DISCS

| MODEL NO. | BORE | KEY SIZE |
|-----------|-------|-------------|
| 4801-4108 | 1-1/2 | 1/8 x 1/8 |
| 4801-4110 | 1-3/4 | 3/16 x 3/16 |
| 4801-4112 | 2 | 3/16 x 3/16 |
| 4801-4114 | 2-1/4 | 3/16 x 3/16 |
| 4801-4116 | 2-1/2 | 1/4 x 1/4 |



8" AND 10" DISCS

| MODEL NO. | BORE | KEY SIZE |
|-----------|-------|-------------|
| 4802-4116 | 1 | 1/4 x 1/4 |
| 4802-4118 | 1-1/8 | 1/4 x 1/4 |
| 4802-4120 | 1-1/4 | 1/4 x 1/4 |
| 4802-4122 | 1-3/8 | 5/16 x 5/16 |
| 4802-4124 | 1-1/2 | 3/8 x 3/8 |
| 4802-4126 | 1-5/8 | 3/8 x 3/8 |
| 4802-4128 | 1-3/4 | 3/8 x 3/8 |

- Material 1215 CF ▪ Black Oxide finish
- Bore tolerances + 0.002/- 0.000
- Keyway tolerances + 0.002/- 0.000

12" AND 16" DISCS

| MODEL NO. | BORE | KEY SIZE |
|-----------|-------|-----------|
| 4804-4124 | 1-1/2 | 3/8 x 3/8 |
| 4804-4128 | 1-3/4 | 3/8 x 3/8 |
| 4804-4132 | 2 | 1/2 x 1/2 |
| 4804-4136 | 2.25 | 1/2 x 1/2 |
| 4804-4140 | 2.50 | 5/8 x 5/8 |

W.C. BRANHAM INC.

SOLUTIONS IN MOTION

398 TROY STREET ▪ RIVER FALLS, WI 54022

TELE +1.715.426.2000 ▪ FAX +1.715.426.1400

www.wcbranhaminc.com ▪ brakes@wcbranhaminc.com

IMPORTANT NOTES: For best service life do not exceed disc temperature of 300° F. ▪ Refer to W.C. Branham Inc. Caliper Disc Brake Catalog and Design Guide No. 9900-9020, for correct caliper disc brake and disc sizing. ▪ Contact W.C. Branham Inc. - Application Sales for assistance.