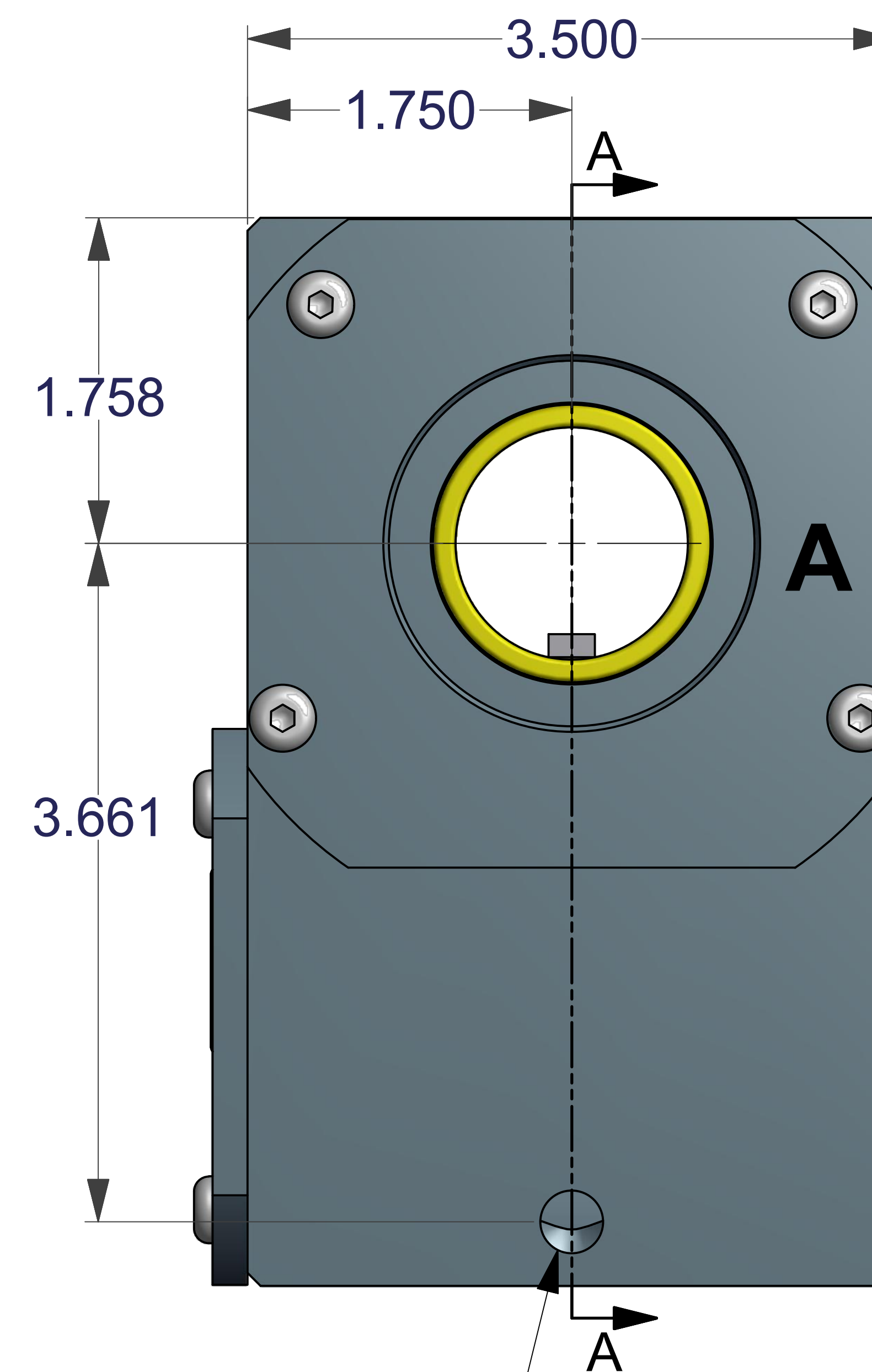
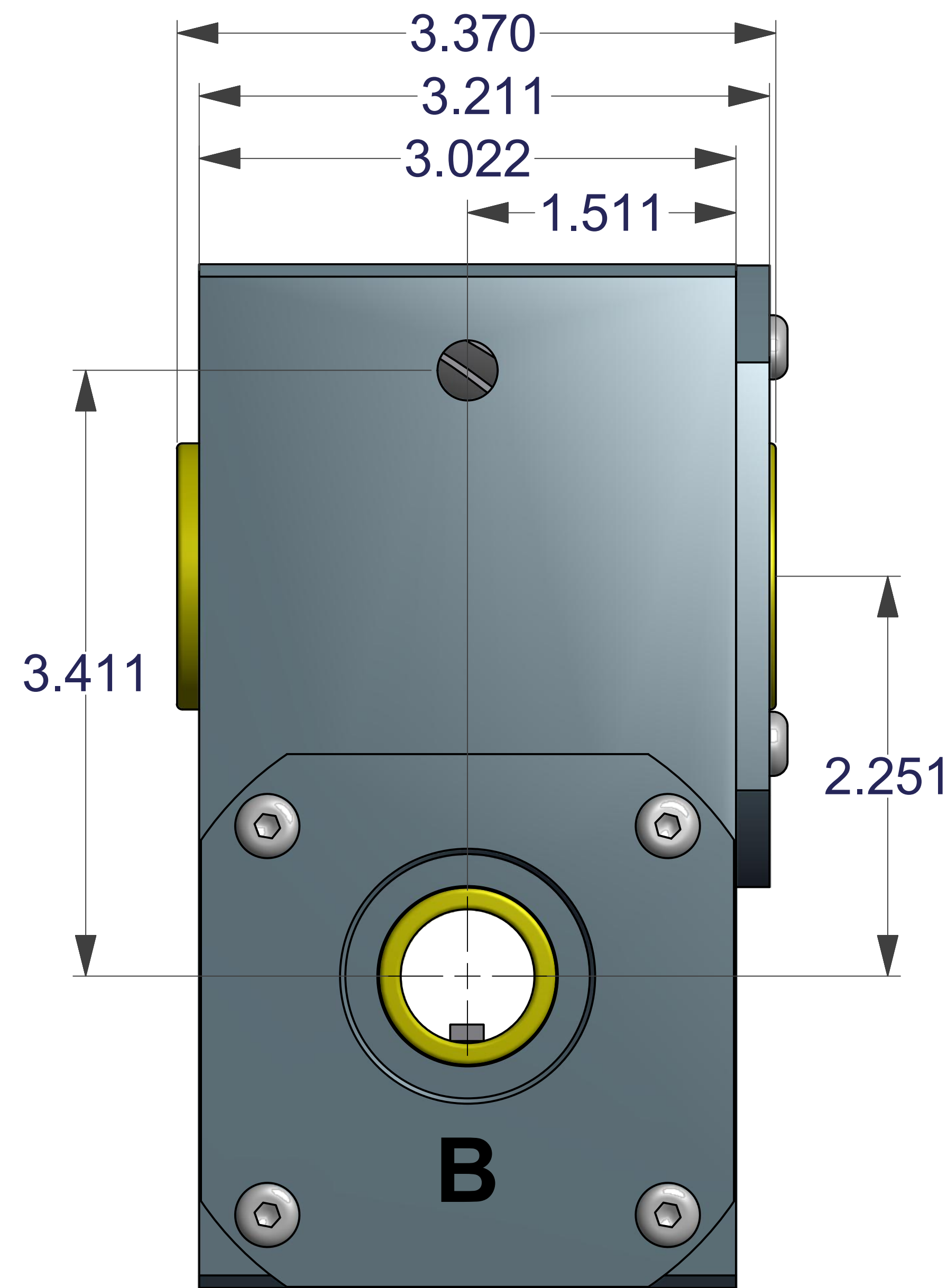
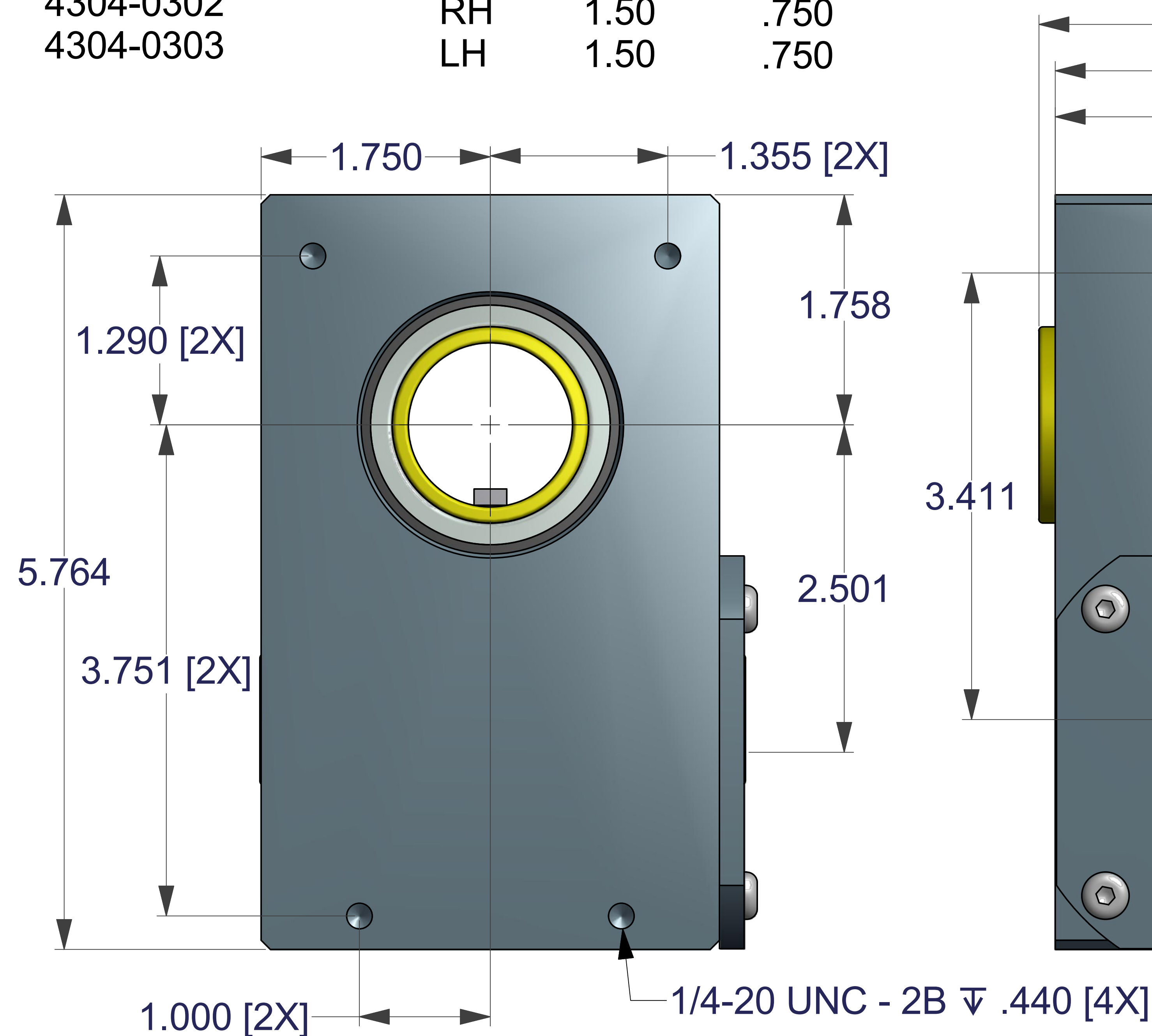
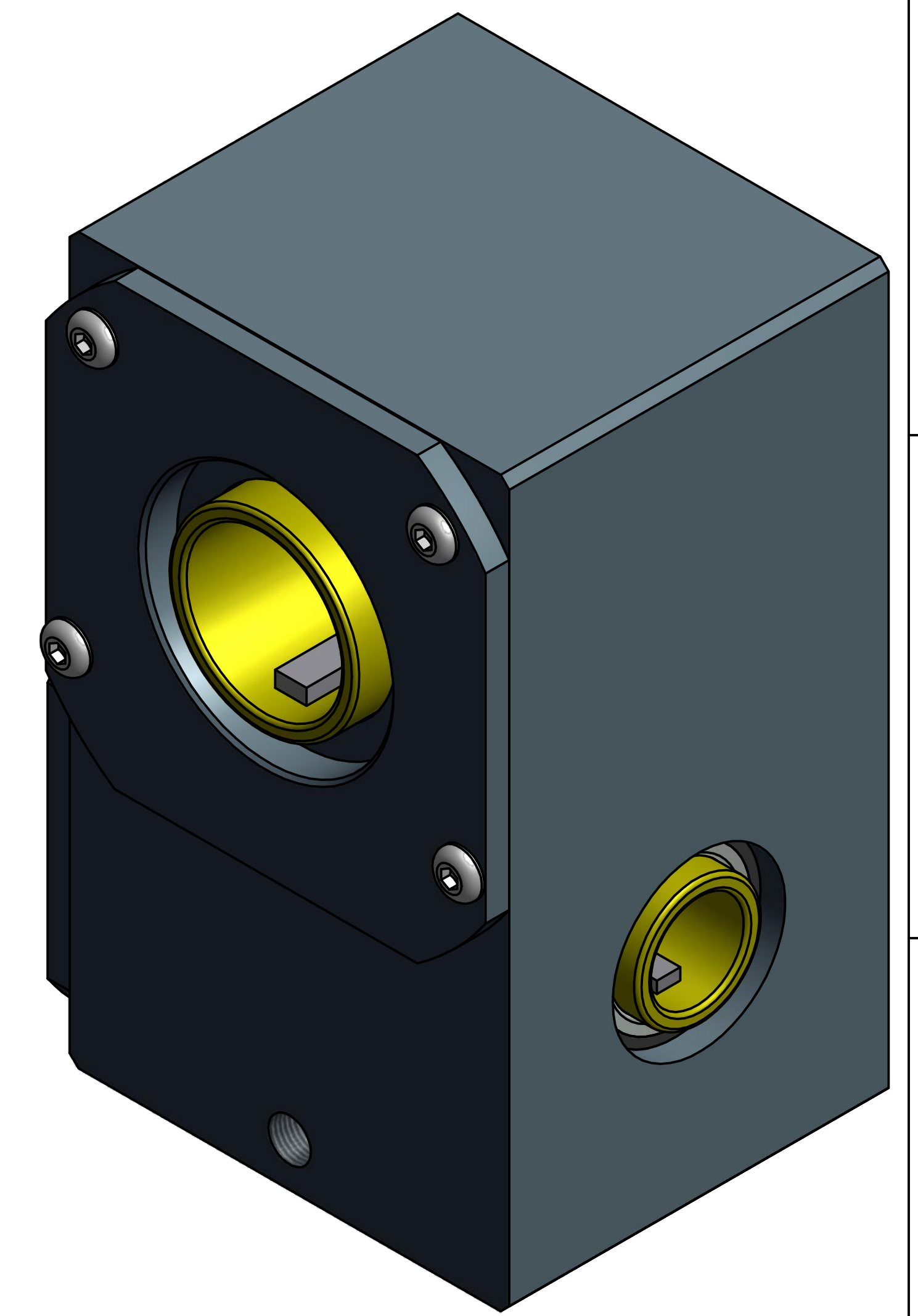
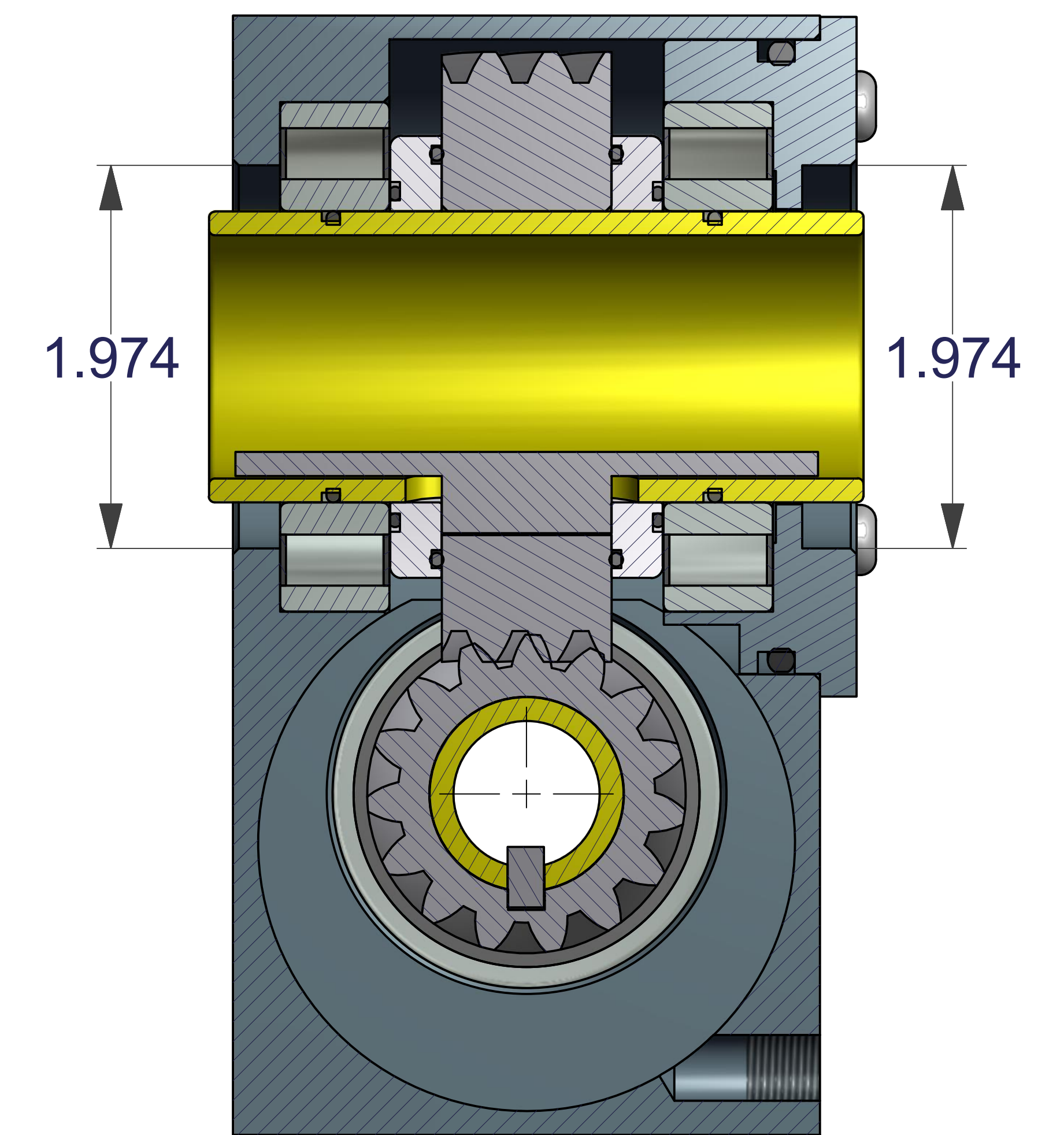


PART NO.	RATIO	TYPE	A-BORE	B-BORE
4304-0036	2:1 ALL	RH	1.25	1.00
4304-0037		LH	1.25	1.00
4304-0038		RH	1.00	1.00
4304-0039		LH	1.00	1.00
4304-0228		RH	1.50	1.00
4304-0229		LH	1.50	1.00
4304-0282		RH	.625	.625
4304-0283		LH	.625	.625
4304-0284		RH	.750	.625
4304-0285		LH	.750	.625
4304-0286		RH	1.0	.750
4304-0287		LH	1.0	.750
4304-0288		RH	1.0	.625
4304-0289		LH	1.0	.625
4304-0290		RH	.625	.750
4304-0291		LH	.625	.750
4304-0292		RH	.750	.750
4304-0293		LH	.750	.750
4304-0300		RH	1.50	.625
4304-0301		LH	1.50	.625
4304-0302		RH	1.50	.750
4304-0303		LH	1.50	.750

PART NO.	RATIO	TYPE	A-BORE	B-BORE
4304-0304	2:1 ALL	RH	1.25	.625
4304-0305		LH	1.25	.625
4304-0306		RH	1.25	.750
4304-0307		LH	1.25	.750



1/8 NPT BREATHER/FILL
LUBE PORTS (2)



SECTION A-A
SCALE 1.75

INPUT TORQUE = OUTPUT TORQUE/1.24 IN. LBS.
RPM OUTPUT TORQUE, IN. LBS.
33 369 MAX. HAND TORQUE = 609 IN. LBS.
50 320

KEY SIZES:	5/8 BORE --	3/16
200	203	3/4 BORE -- 3/16
300	176	1.0 BORE -- 1/4
400	126	1 1/4 BORE -- 1/4
500	115	1 1/2 BORE -- 3/8
1000	92	
1200	70	

- * 8620 HEAT TREATED GEARS
- * (2) R24 DBL. SEALED BEARINGS A-BORE
- * (2) R16 DBL. SEALED BEARINGS B-BORE
- * ANODIZED ALUM. HOUSING & CAPS
- * PRELUBED WITH MAGNALUBE 'G' GRADE 2

WC BRANHAM SOLUTIONS IN MOTION <small>998 TROY STREET • RIVER FALLS, WISCONSIN 54022 U.S.A. © 2015 WC Branham Inc. All Rights Reserved.</small>		REVISION SIZE E
UNLESS OTHERWISE SPECIFIED: DO NOT SCALE DRAWING REMOVE ALL BURRS TAP DEPTHS FULL THD. DRILL DEPTHS FULL DIA.	THIRD ANGLE PROJECTION 	TITLE IAS STD. ALPHA 2:1 RATIO SERIES
TOLERANCES 2 PLACE +/- .010 3 PLACE +/- .005	DESIGNER WCB	DATE 11/28/10
THREADS EXTERNAL CLASS 2A INTERNAL CLASS 2B	CHECKER DATE	DRAWING NO.
SCALE CLASS		