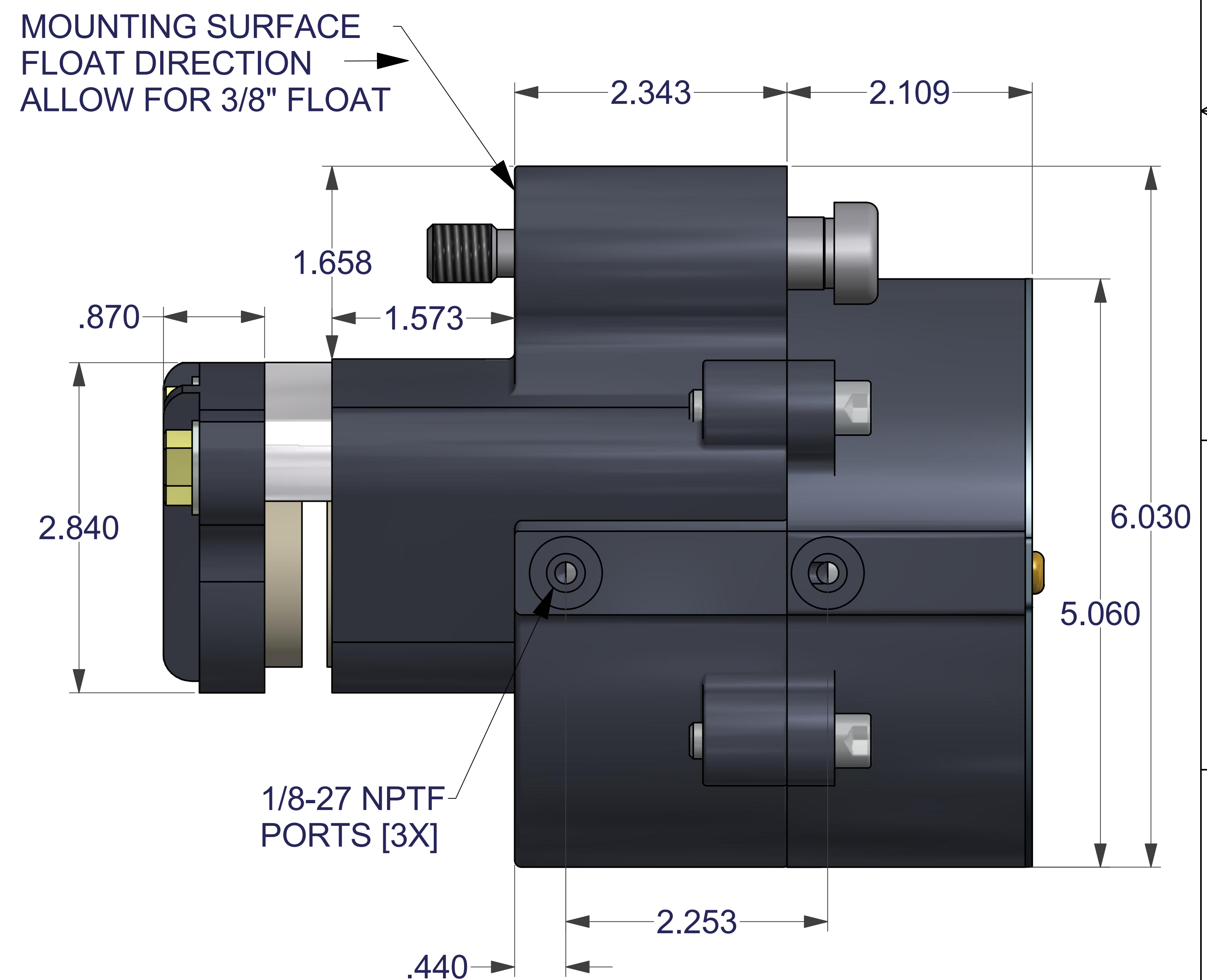
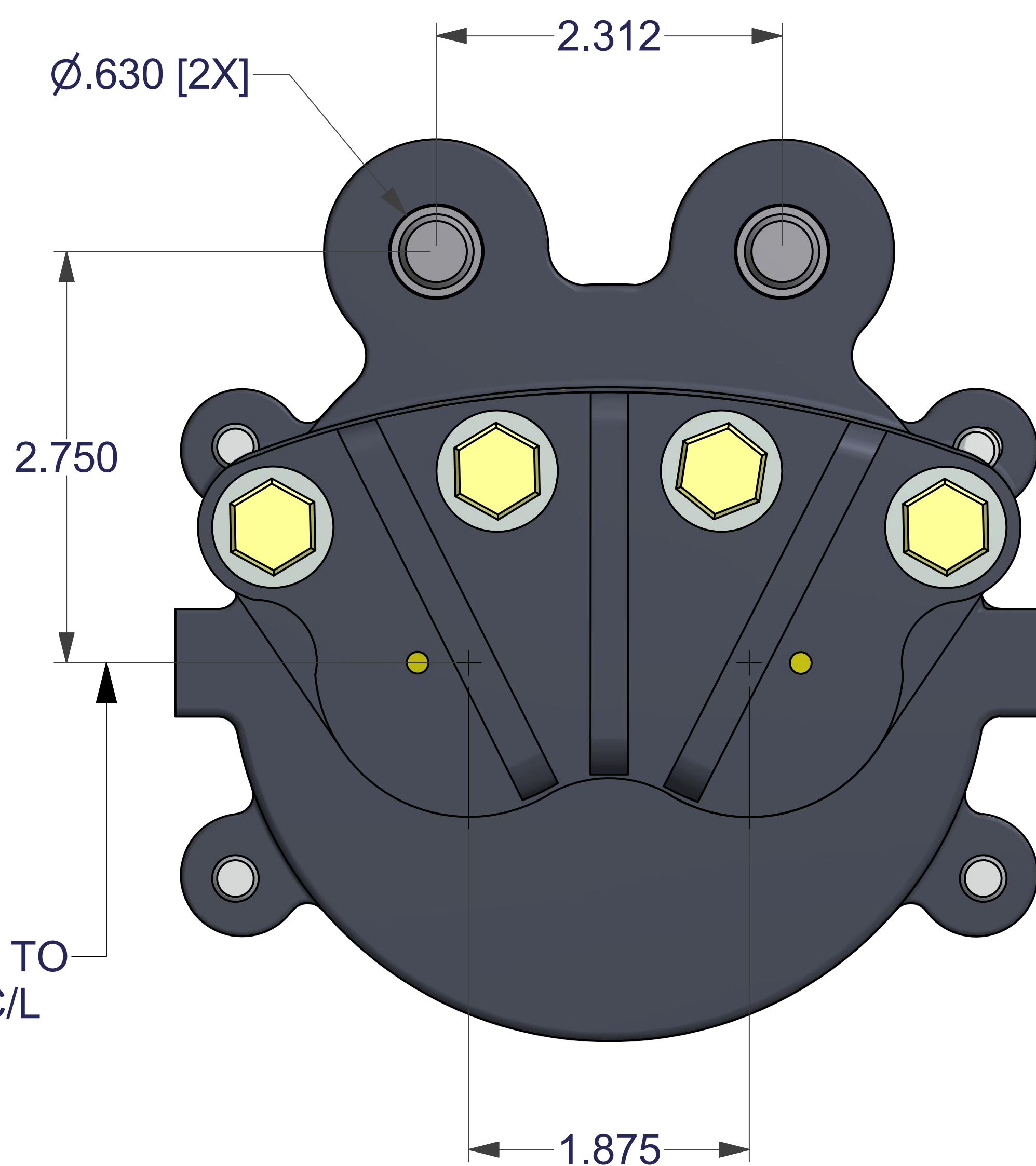
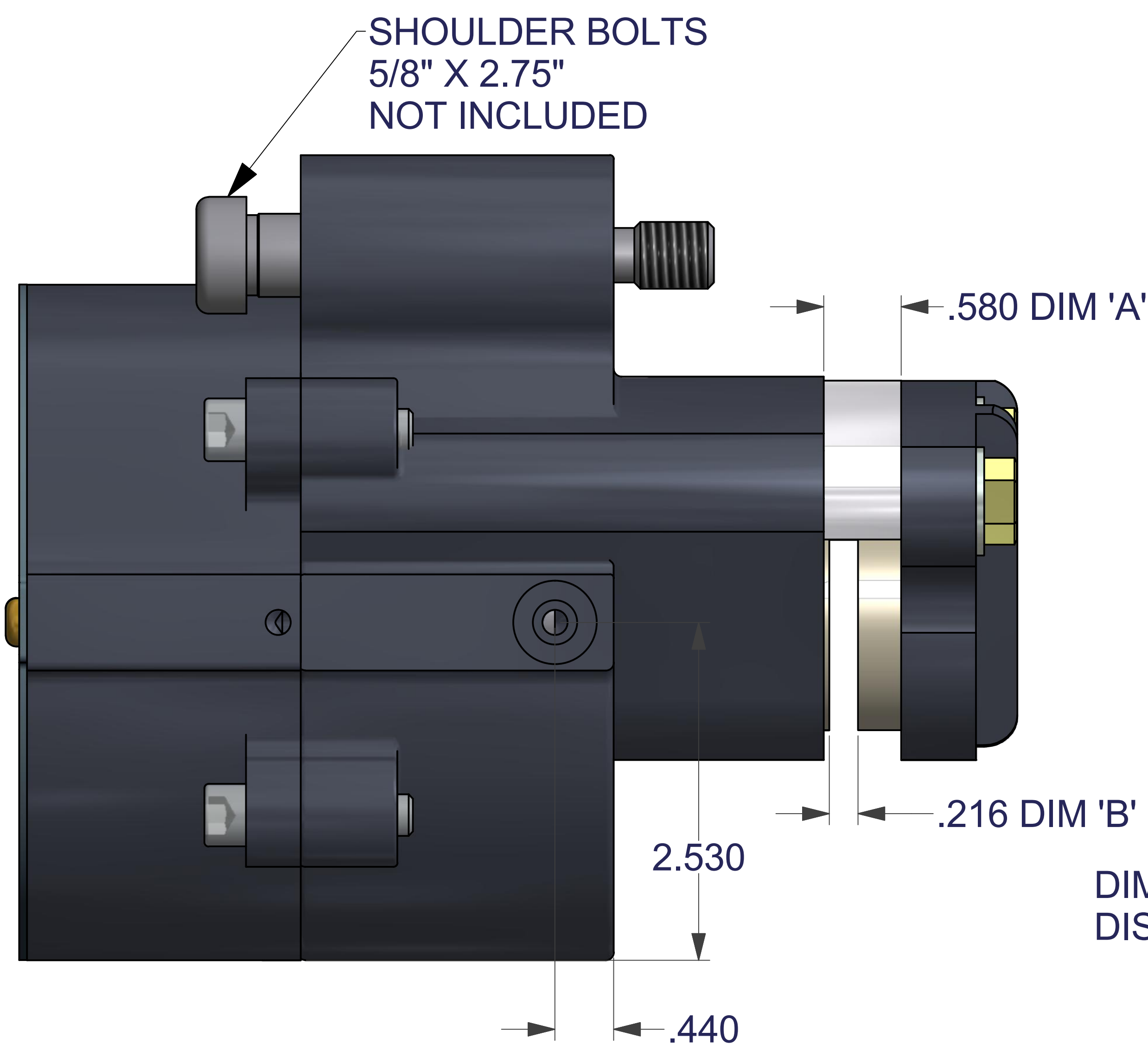
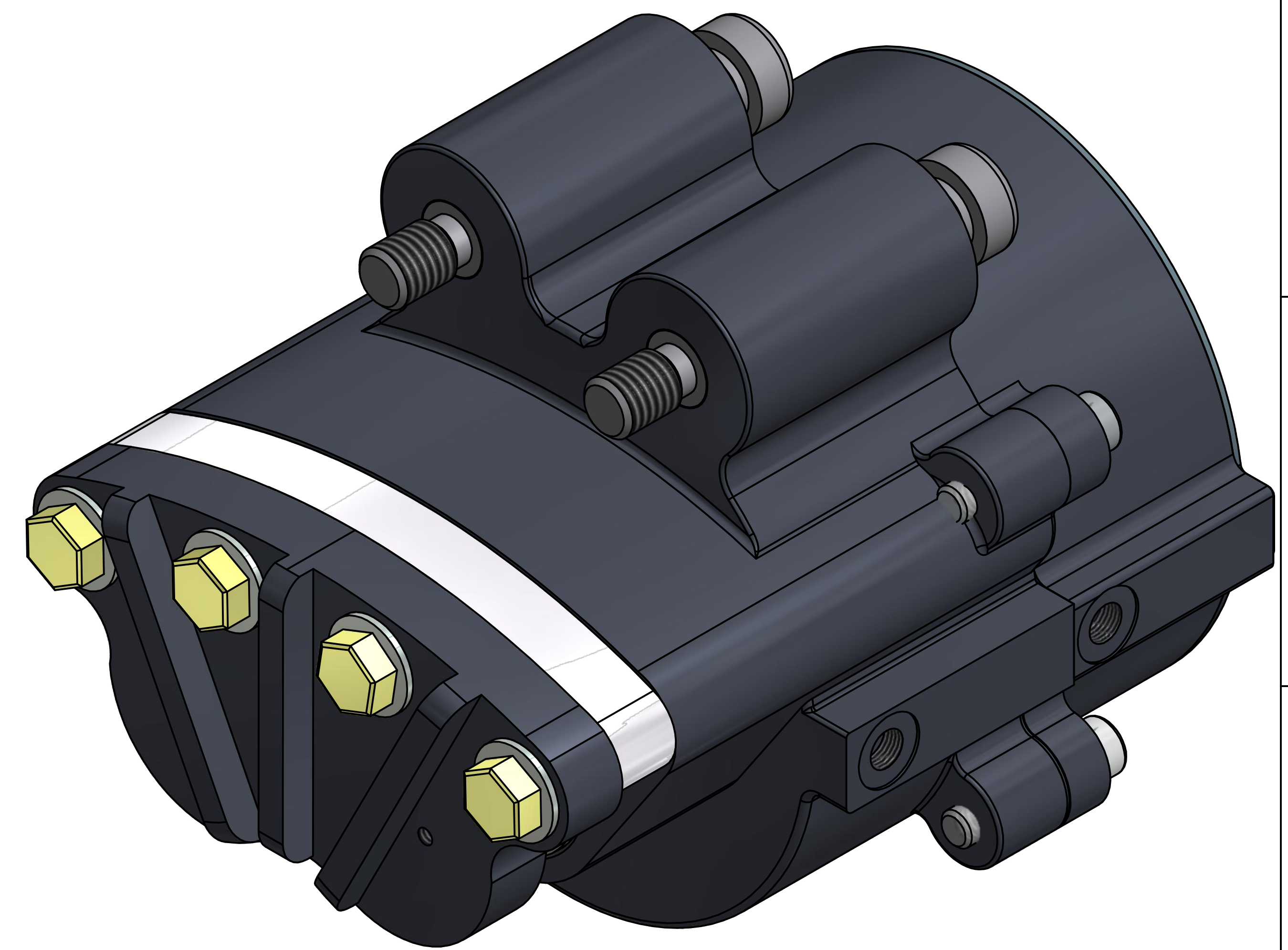
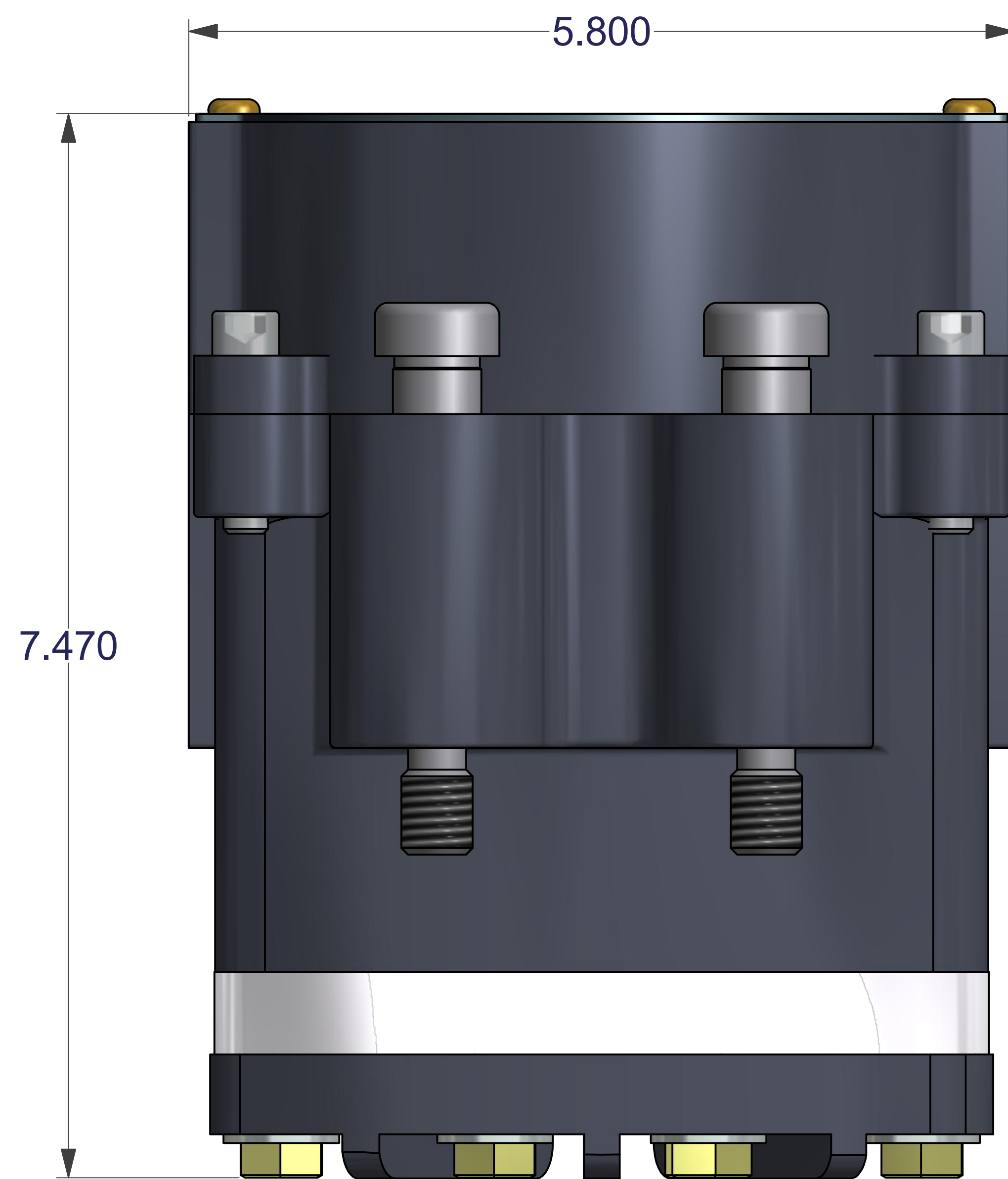


*PFS200 SERIES BRAKES ARE FOR EMERGENCY STOP & HOLD APPLICATIONS ONLY.
 * SPACERS ARE AVAILABLE FOR OTHER DISC THICKNESSES.
 * TORQUE, IN. LBS. = TANGENTIAL FORCE, LBS. X BRAKING RADIUS, INCHES
 * BRAKING RADIUS, INCHES = SQ. ROOT (DIM. 'C' SQUARED + .8789)
 * PORTING -- (3) 1/8-27 NPTF. ALL PORTS INTERCONNECTED.

* 85 PSI RELEASE PRESSURE
 * CAST ALUMINUM CONSTRUCTION
 * HARDCOATED HOUSINGS
 * 8.19 SQ. IN. TOTAL FRICTION PAD AREA
 * 16.00 INCH MAX. DISC DIAMETER
 * REPLACEABLE FRICTION PADS
 * DUAL BELLEVILLE DISC SPRING STACKS, 12 EACH
 * NON-ASBESTOS FRICTION MATERIAL
 * 2,065 LBS. OF CLAMPING FORCE
 * .45 COFF. OF FRICTION PAD #951023
 * BUNA N SEALS, VITON OPTIONAL
 * 1.52 CUBIC INCHES WEARABLE VOLUME

TOTAL PAD WEAR, INCHES	TANGENTIAL FORCE, LBS.
0	929
.06	796
.12	663
.18	530
.24	397
.30	264
.36	131
.42	0



DISC THK.	DIM. 'A'	DIM. 'B'	DISC DIA.	DIM. " C "	BRAKING RADIUS
5/32	.580	.216	8.0	3.00	3.15
1/4	.674	.310	10.0	4.00	4.11
3/8	.799	.435	12.0	5.00	5.08
1/2	.924	.560	16.0	7.09	7.15
3/4	1.174	.810			
1.0	1.424	1.06			
1.125	1.549	1.185			

FOR DISC DIAMETERS GREATER THAN 16.00 INCH SEE PFS200UL SERIES

ASSY. NO.	MODEL	DISC THK.
4004-0231	PFS200AF	5/32
4004-0232	PFS200BF	1/4
4004-0233	PFS200LF	3/8
4004-0234	PFS200EF	1/2
4004-0265	PFS200TF	3/4

<p>WC BRANHAM SOLUTIONS IN MOTION 998 TROY STREET • RIVER FALLS, WISCONSIN 54022 U.S.A. copyright © W.C. Branham Inc. 2015. All Rights Reserved.</p>		REVISION
		SIZE E
UNLESS OTHERWISE SPECIFIED: DO NOT SCALE DRAWING REMOVE ALL BURRS TAP DEPTHS FULL THD. DRILL DEPTHS FULL DIA.	THIRD ANGLE PROJECTION 	TITLE PFS200 SERIES ALPHA VERSION
TOLERANCES 2 PLACE +/- .010 3 PLACE +/- .005	DESIGNER CCR	DATE 4/21/15
THREADS EXTERNAL CLASS 2A INTERNAL CLASS 2B	CHECKER 	DRAWING NO.
SCALE CLASS	 	