

*PFS200 SERIES BRAKES ARE FOR EMERGENCY STOP & HOLD APPLICATIONS ONLY.

* SPACERS ARE AVAILABLE FOR OTHER DISC THICKNESSES.

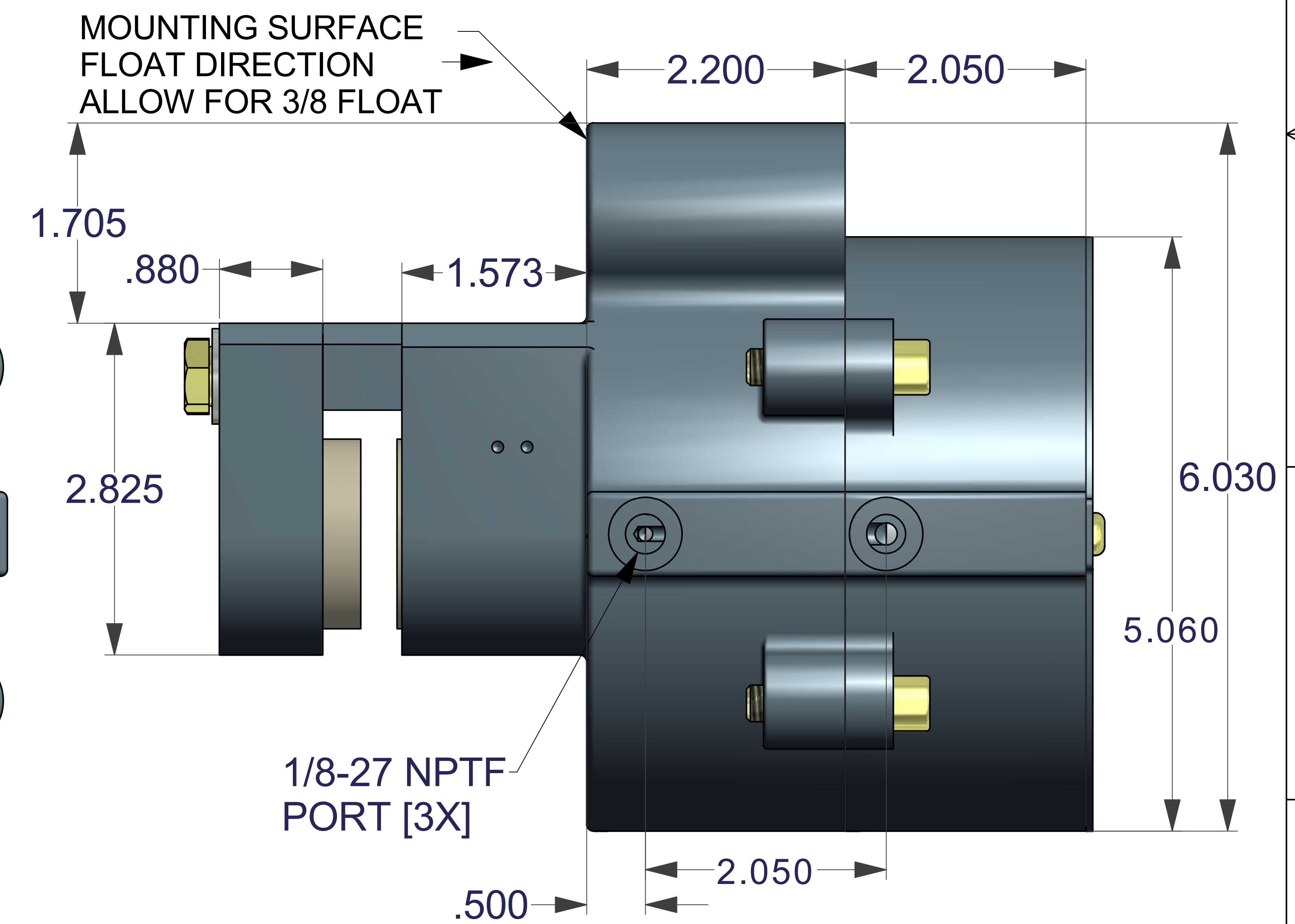
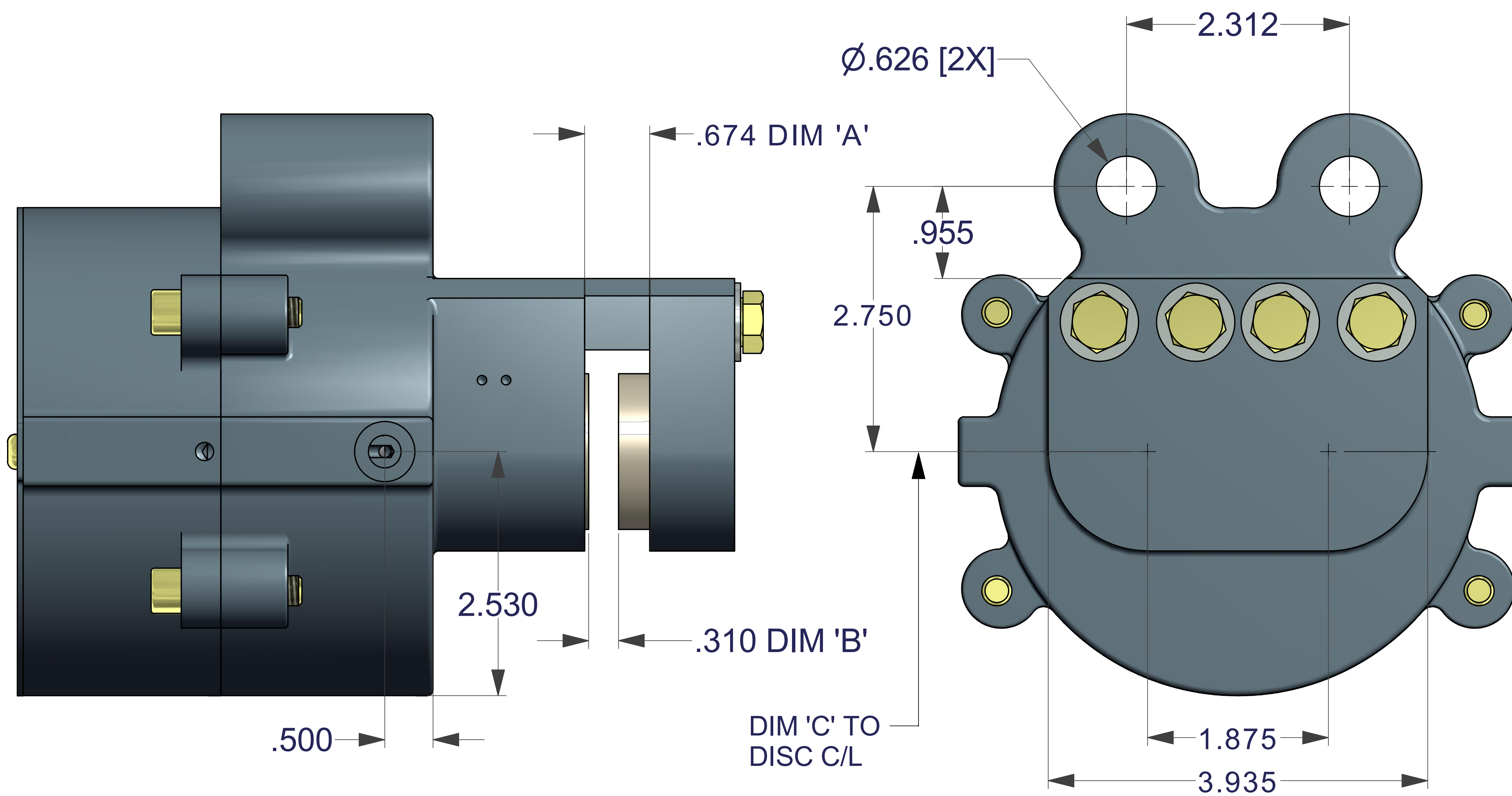
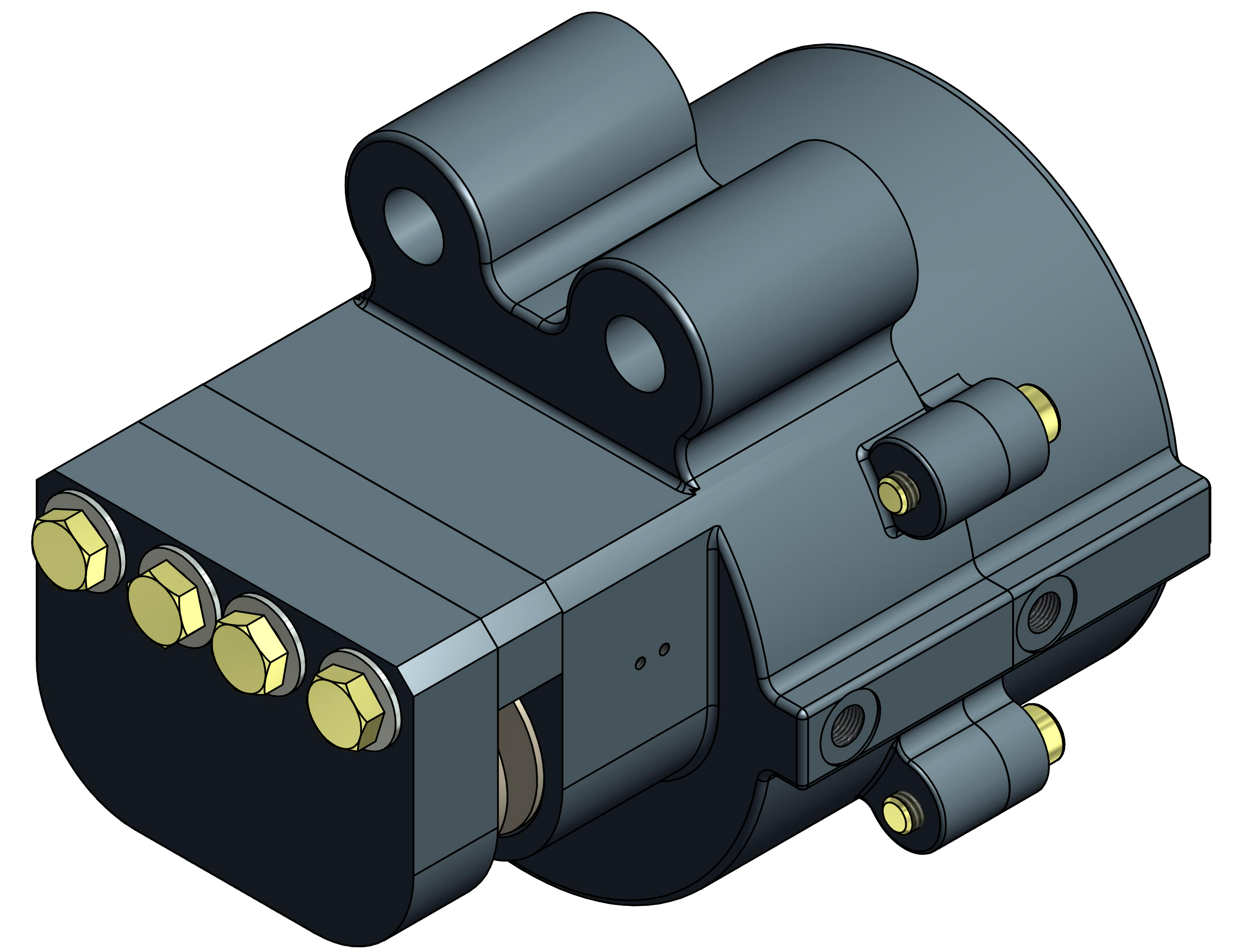
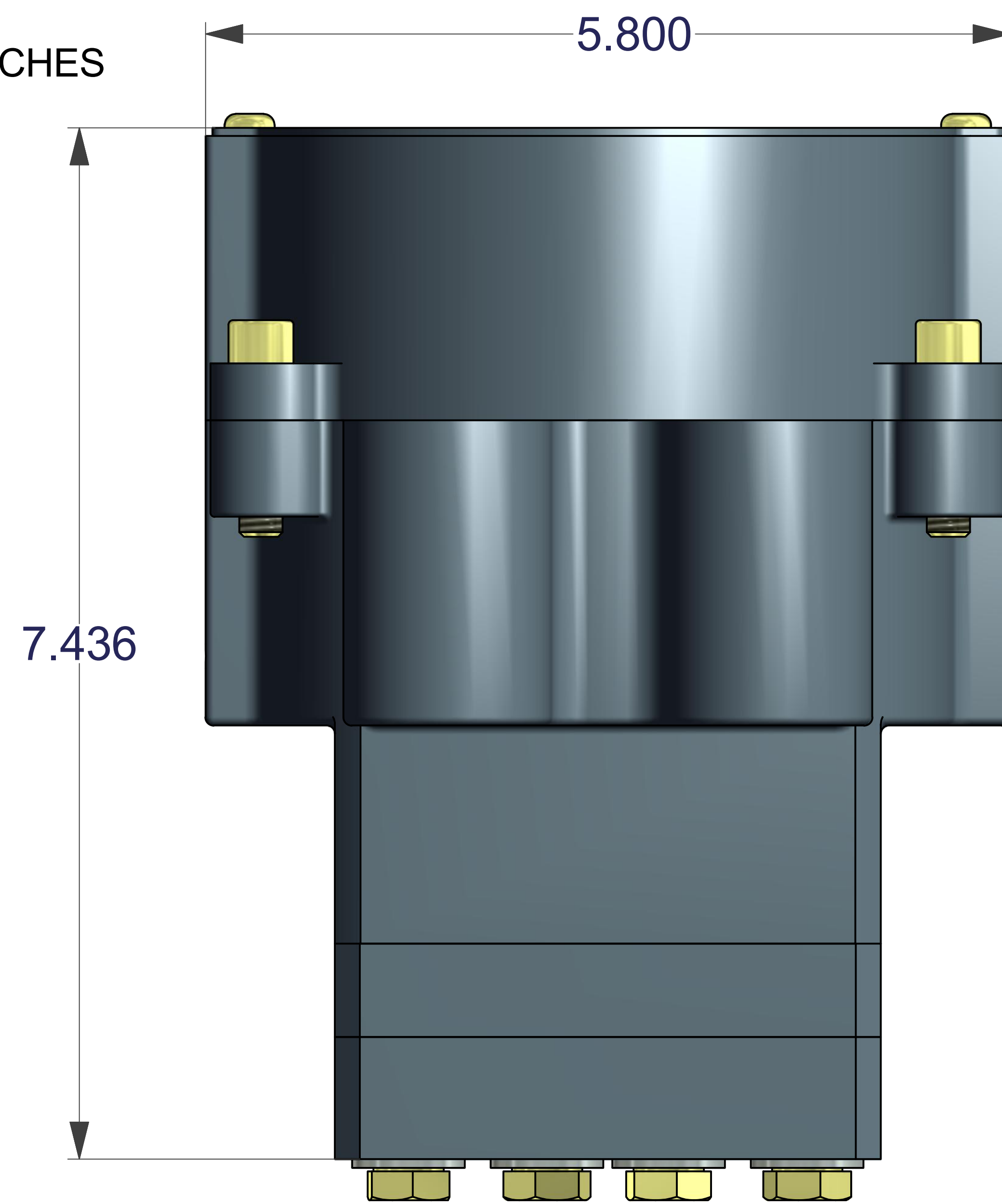
* TORQUE, IN. LBS. = TANGENTIAL FORCE, LBS. X BRAKING RADIUS, INCHES

* BRAKING RADIUS, INCHES = SQ. ROOT (DIM. 'C' SQUARED + .8789)

* PORTING -- (3) 1/8-27 NPTF. ALL PORTS INTERCONNECTED.

- * 85 PSI RELEASE PRESSURE
- * CAST ALUM. CONSTRUCTION
- * HARDCOATED HOUSINGS
- * 8.19 SQ. INCHES TOTAL FRICTION PAD AREA
- * UNLIMITED DISC DIAMETERS
- * REPLACEABLE FRICTION PADS
- * 2,065 LBS. OF CLAMPING FORCE
- * .45 COFF. OF FRICTION
- * DUAL BELLEVILLE DISC SPRING STACKS. 12 EACH
- * NON-ASBESTOS FRICTION MATERIAL
- * BUNA N SEALS. VITON OPTIONAL
- * 1.52 CUBIC INCHES WEARABLE VOLUME

TOTAL PAD WEAR, INCHES	TANGENTIAL FORCE, LBS.
0	929
.06	796
.12	663
.18	530
.24	397
.30	264
.36	131
.42	0



DISC THK.	DIM. 'A'	DIM. 'B'	DISC DIA.	DIM. 'C'	BRAKING RADIUS
5/32	.580	.216	8.0	3.070	3.210
3/16	.612	.247	10.0	4.070	4.177
1/4	.674	.310	12.0	5.070	5.156
3/8	.799	.435	16.0	7.070	7.132
1/2	.924	.560	18.0	8.070	8.124
3/4	1.174	.810	20.0	9.070	9.118
1.0	1.424	1.06	30.0	14.070	14.101
1.125	1.549	1.185			

PART NO.	MODELS	DISC THK.
4005-0030	PFS200SAUL	5/32
4005-0031	PFS 200SBUL	1/4
4005-0032	PFS200SLUL	3/8
4005-0033	PFS200SEUL	1/2
4005-0034	PFS200SJUL	5/8
4005-0035	PFS200STUL	3/4
4005-0036	PFS200SOUL	1.0
4005-0037	PFS200 SQUL	1.125

<p>WC BRANHAM SOLUTIONS IN MOTION 398 TROY STREET • RIVER FALLS, WISCONSIN 54022 U.S.A. copyright © W.C. Branham Inc. 2015. All Rights Reserved.</p>		REVISION
		SIZE E
<small>UNLESS OTHERWISE SPECIFIED</small> DO NOT SCALE DRAWING REMOVE ALL BURRS TAP DEPTHS FULL THD. DRILL DEPTHS FULL DIA.	THIRD ANGLE PROJECTION 	TITLE PFS200S UL SERIES
TOLERANCES 2 PLACE +/- .010 3 PLACE +/- .005	DESIGNER CCR 4/21/15	DATE
THREADS EXTERNAL CLASS 2A INTERNAL CLASS 2B	CHECKER	DATE
SCALE	DRAWING NO.	
CLASS		