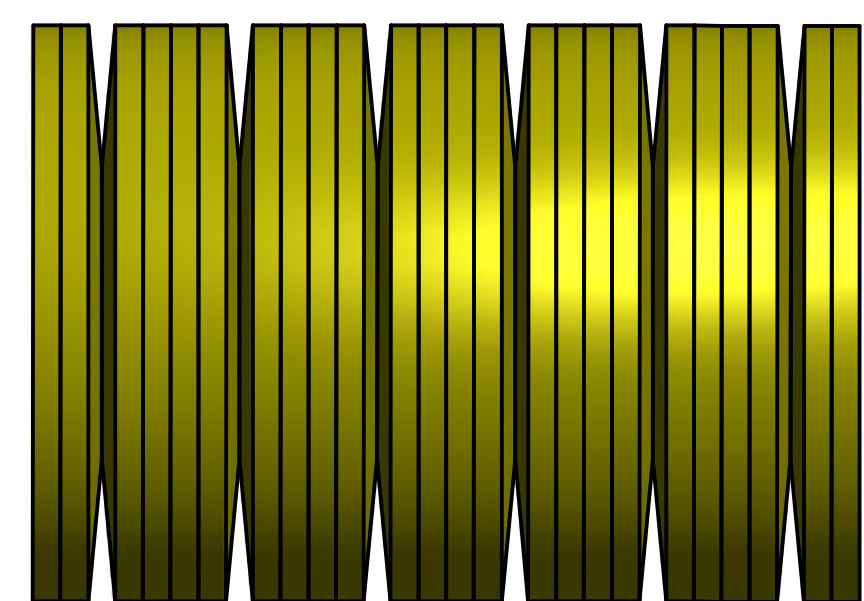


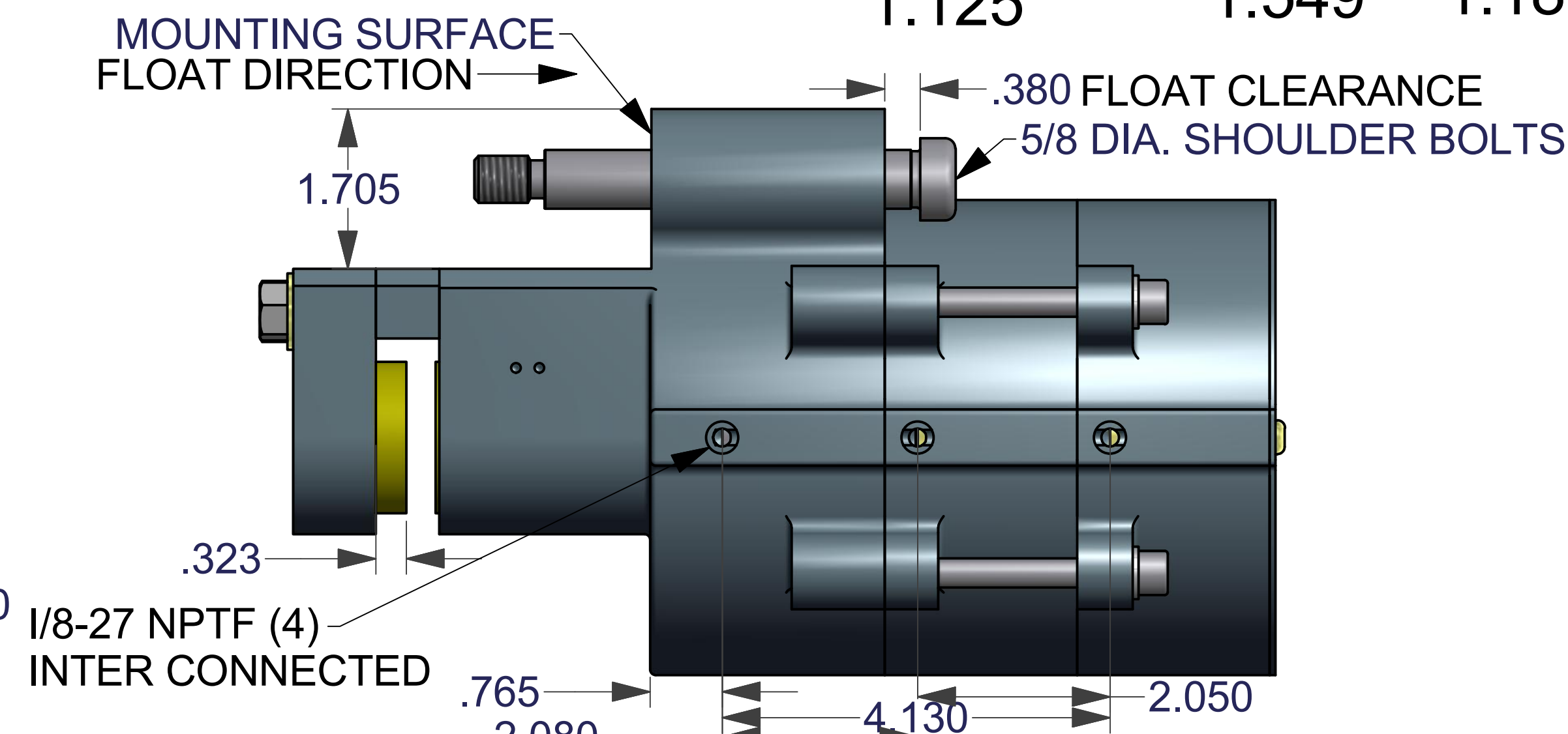
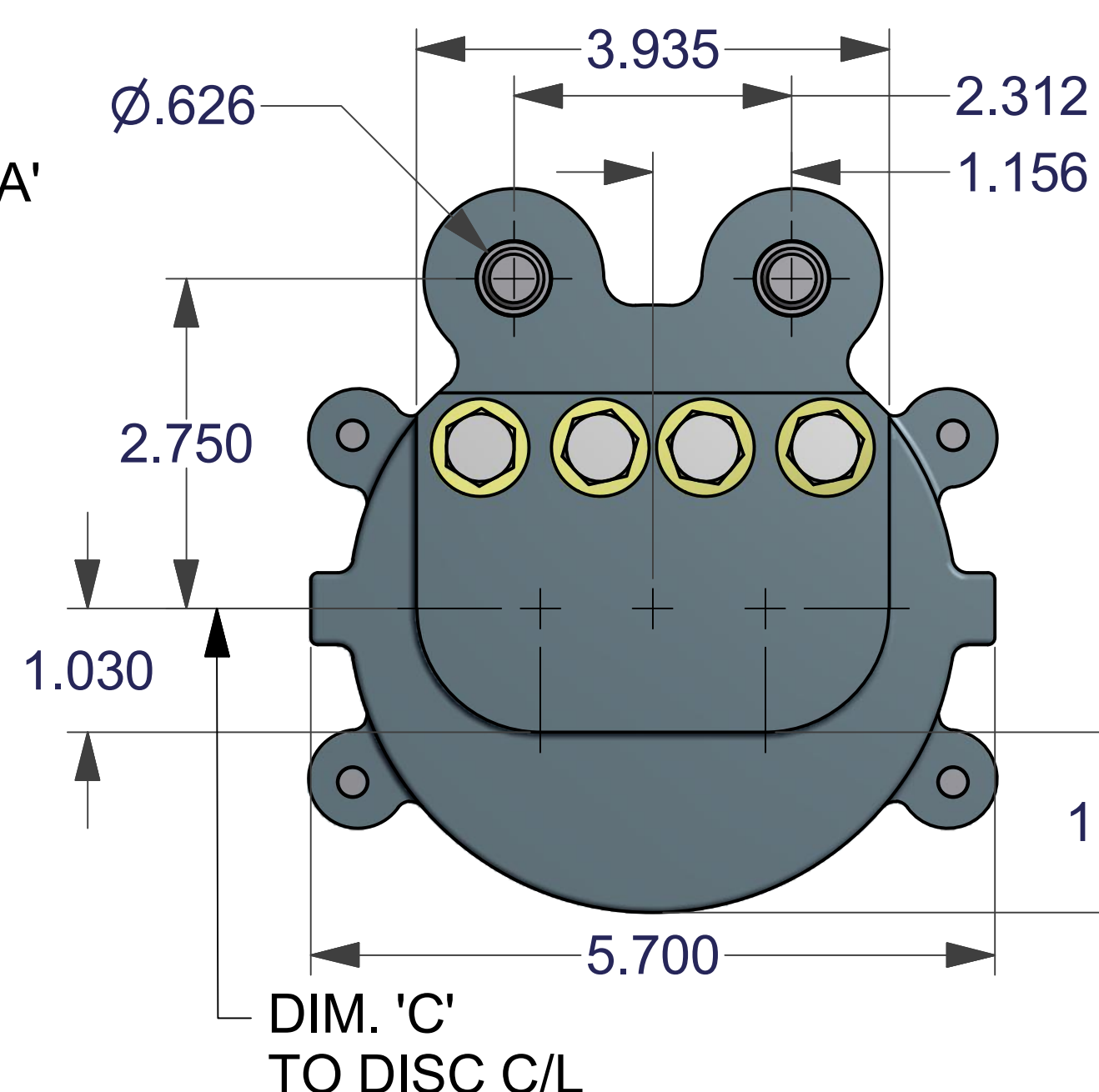
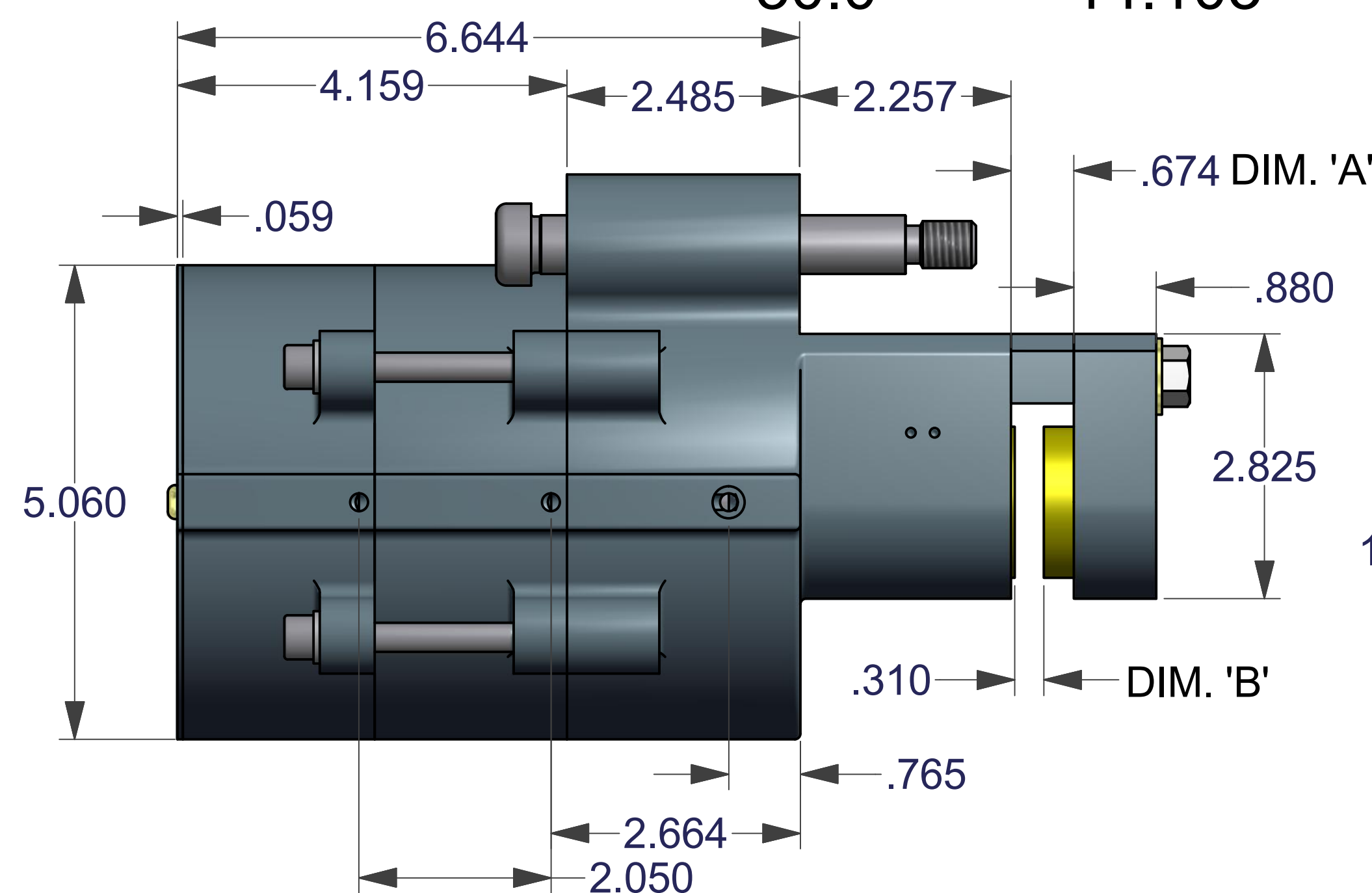
DISC DIA.	DIM. 'C'	TOTAL PAD WEAR, INCHES	TANGENTIAL FORCE, LBS.
8.0	3.070	0	1,859
10.0	4.070	.06	1,594
12.0	5.070	.12	1,329
16.0	7.070	.18	1,064
18.0	8.070	.24	799
20.0	9.070	.30	534
22.0	10.070	.36	269
30.0	14.070	.42	0

- * 100 PSI RELEASE PRESSURE
- * UNLIMITED DISC DIAMETER
- * 4,130 LBS. OF CLAMPING FORCE
- * .45 COFF. OF FRICTION, PAD #9511023
- * 8.19 SQ. INCHES OF FRICTION PAD AREA
- * 1.52 CUBIC INCHES OF WEARABLE PAD VOLUME
- * CAST ALUM. CONSTRUCTION
- * HARDCOATED HOUSINGS
- * (2) SPRING STACKS IN PARALLEL 24 EACH
- * BUNA N SEALS



DISC DIA.	BRAKING RADIUS	DISC THK.	ASSY. NO.	MODEL
8.0	3.210	5/32	4004-0771	PFS400AF
10.0	4.177	1/4	4004-0772	PFS400BF
12.0	5.156	3/8	4004-0773	PFS400 LF
16.0	7.132	1/2	4004-0774	PFS400EF
18.0	8.124	5/8	4004-0775	PFS400JF
20.0	9.118	3/4	4004-0776	PFS400TF
22.0	10.114	1.0	4004-0777	PFS400OF
30.0	14.103	1.125	4004-0778	PFS400QF

DISC THK.	DIM. 'A'	DIM. 'B'
5/32	.580	.216
1/4	.674	.310
3/8	.799	.435
1/2	.924	.560
5/8	1.049	.685
3/4	1.174	.810
1.0	1.424	1.060
1.125	1.549	1.185



PFS400 SERIES BRAKES ARE FOR EMERGENCY STOP & HOLDING ONLY.
 SPACERS FOR OTHER DISC THICKNESSES ARE AVAILABLE.
 TORQUE, IN. LBS. = TANGENTIAL FORCE, LBS. X BRAKING RADIUS, INCHES

BRAKING RADIUS (IN.) = SQ. ROOT OF (DIM. 'C' SQUARED + .8789)

UNLESS OTHERWISE SPECIFIED DO NOT SCALE DRAWING REMOVE ALL BURRS TAP DEPTHS FULL THD. DRILL DEPTHS FULL DIA.	THIRD ANGLE PROJECTION DESIGNER: WCB DATE: 04/19/12	WC BRANHAM INC. RIVER FALLS, WI
TOLERANCES 2 PLACE +/- .010 3 PLACE +/- .005	CHECKER: _____ DATE: _____	TITLE PFS400 SERIES FAILSAFE CALIPERS
THREADS EXTERNAL CLASS 2A INTERNAL CLASS 2B	SCALE CLASS	DRAWING NO. _____ REVISION _____

SIZE
D